

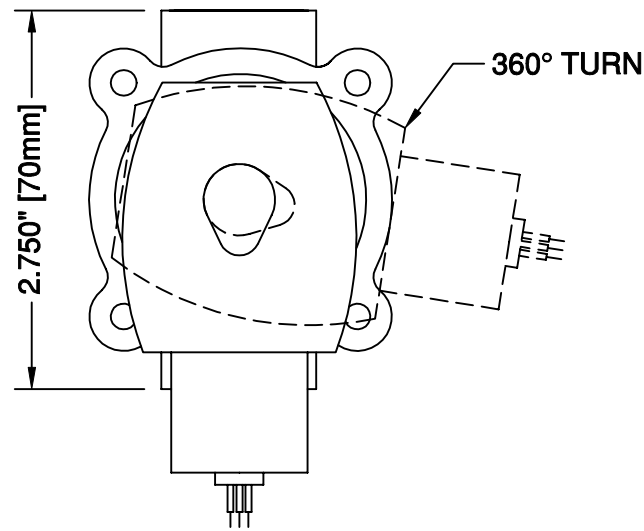
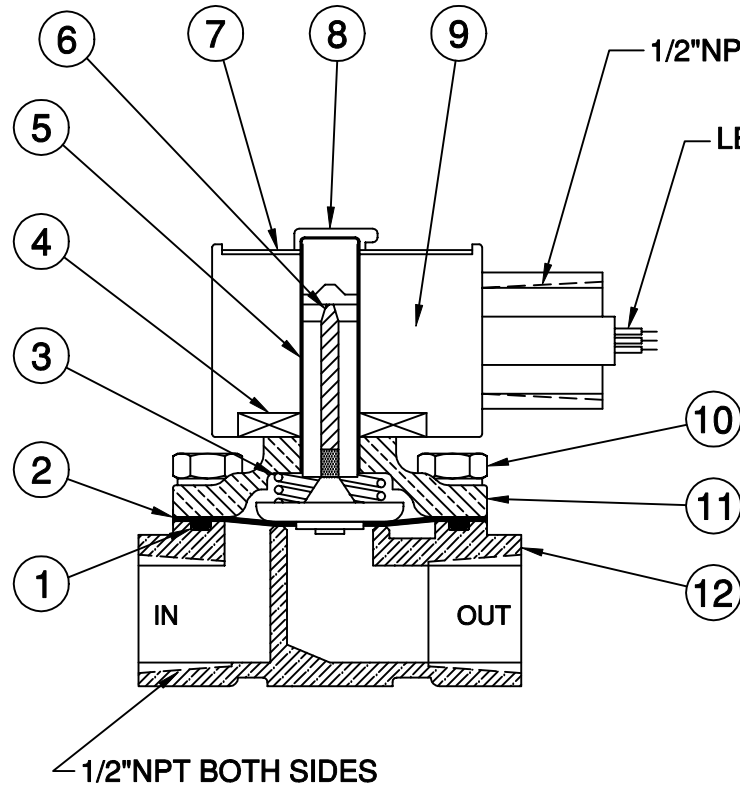
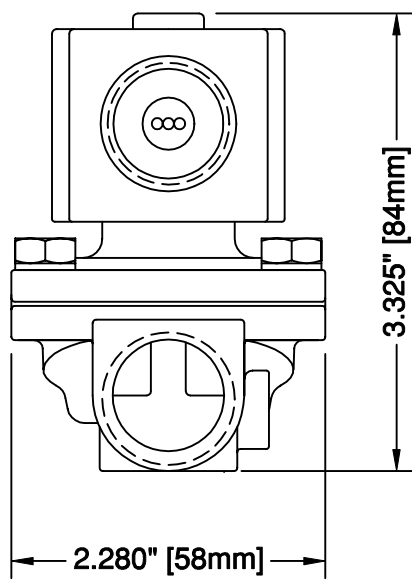
CLASS "F" COIL RATING

WATT RATING AND POWER CONSUMPTION

| | | |
|----------|--------------|-------------|
| AC 60 Hz | | |
| WATTS | V.A. HOLDING | V.A. INRUSH |
| 6.1 | 16 | 40 |

**FOR USE IN HAZARDOUS LOCATION
CLASS 1 DIV.1 , GROUP A, B, C AND D
TEMPERATURE CLASS T3B, 165°C**


| REVISIONS | | | |
|-----------|-------------|-----------------|----------|
| REV | DESCRIPTION | DATE (YR-MO-DA) | APPROVED |
| | | | |



1/2" NPT ELECTRICAL CONDUIT ENTRY
LEADS 18" [45mm] LONG

EXPLOSION PROOF AND WATERTIGHT SOLENOID
MAXIMUM OPERATING PRESSURE-200 PSI
PRESSURE DIFFERENTIAL- 5 PSI MINIMUM
CV FLOW FACTOR: 6.5
REF. 6 - INSTALL SPRING WITH TIGHT CONICAL END UP AS SHOWN
REBUILD KIT PART 10965-AC
INCLUDE ALL PARTS AS INDICATED IN *

| REF | PART | DESCRIPTION | MATERIAL | QTY. | |
|-----|------|-------------|-----------------------------|-------------------|---|
| * | 1 | 11105 | BODY GASKET | SYNTHETIC RUBBER | 1 |
| * | 2 | 11106 | DIAPHRAGM ASSEMBLY | SYN. RUBBER/STEEL | 1 |
| * | 3 | 11107 | DIAPHRAGM SPRING - AC | STEEL | 1 |
| * | 4 | 10961 | FINGER SPRING - AC | STAINLESS STEEL | 1 |
| * | 5 | 10962 | CORE ASSEMBLY - AC | STEEL / BUNA N | 1 |
| * | 6 | 11862 | CORE SPRING - AC (SEE NOTE) | STEEL | 1 |
| * | 7 | 10964 | NAME PLATE RETAINER - AC | STAINLESS STEEL | 1 |
| * | 8 | 10948 | RED CAP - AC | PLASTIC | 1 |
| * | 9 | 10950 | SOLENOID - 120VAC 60Hz | COPPER WIRE/EPOXY | 1 |
| * | 10 | 11108 | SCREW & WASHER ASSEMBLY | PLATED STEEL | 1 |
| * | 11 | 11109 | SOLENOID BASE SUB-ASSY.- AC | BRASS / STEEL | 1 |
| * | 12 | 11111 | VALVE BODY - 1/2" NPT | BRASS | 1 |

| | | | |
|--|---|--|--|
| <p>CONFIDENTIAL</p> <p>INFORMATION CONTAINED HEREIN IS CONFIDENTIAL; IT IS THE PROPERTY OF AIRCHIME MFG. CO. LTD. IT IS TO BE USED SOLELY FOR THE PURPOSE PROVIDED AND IT IS NOT TO BE DISCLOSED TO OTHERS WITHOUT THE PRIOR WRITTEN CONSENT OF AIRCHIME MANUFACTURING COMPANY LIMITED.</p> <p>© CopyRight Airchime Mfg. Co. Ltd.</p> | <p>CONTRACT NUMBER:</p> <p>CUSTOMER: TERRA NOVA</p> |  <p>AIRCHIME MANUFACTURING CO. LTD. LANGLEY, B.C. CANADA V4W 3S8</p> | |
| | <p>DRAWN BY: D.L.B.</p> <p>CHECKED: D.F.</p> <p>SCALE: NONE</p> | | <p>DATE: 2001-06-07</p> <p>APPROVED: L.H.F.</p> <p>WEIGHT: N/A</p> |
| | <p>1/2" NPT SOLENOID VALVE 120 VAC, EXPLOSION PROOF</p> | | <p>10910</p> |
| | <p>DRAWING TYPE: PRODUCTION</p> <p>SHEET: 1 OF 1</p> | | |