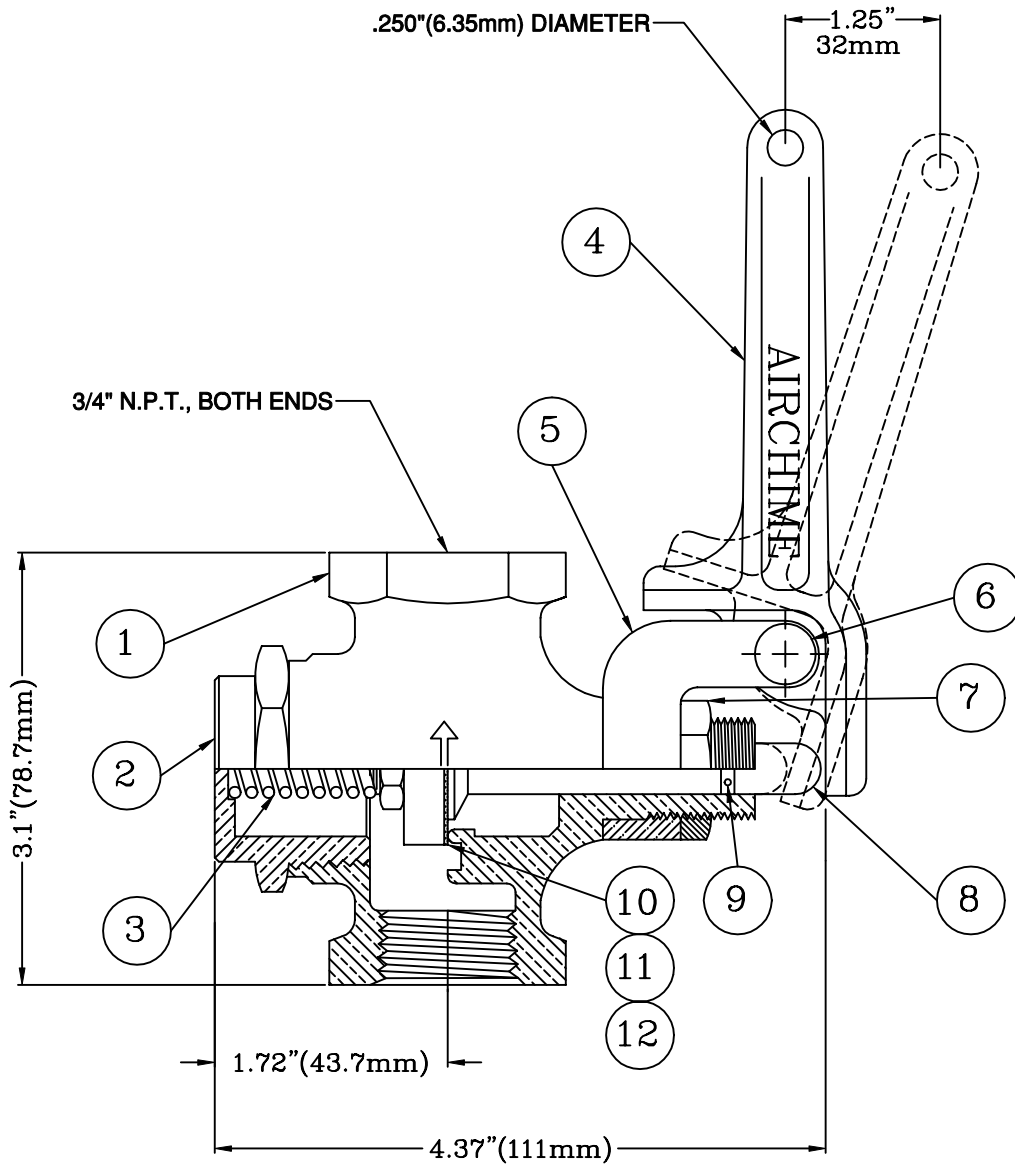
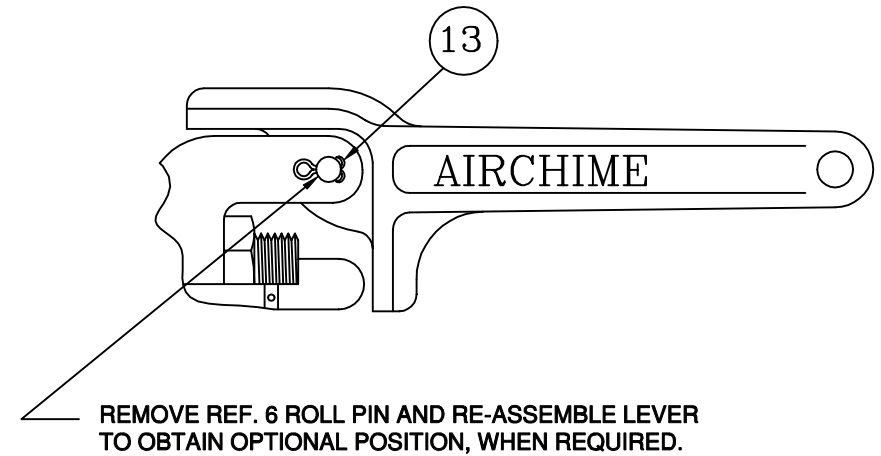



REVISIONS

REV	DESCRIPTION	DATE (YR-MO-DA)	APPROVED
1	SUPERSEDES DWG. No. KH305A	95-05-31	L.H.F.



REF	PART	DESCRIPTION	MATERIAL	SPECIFICATION	QTY
1	14048	VALVE BODY	CAST BRONZE	ASTM B-62	1
2	14049	VALVE CAP	BRASS	ASTM B-16	1
3	10455	SPRING	STAINLESS STEEL	ASTM A313	1
4	10456	LEVER	CAST BRONZE	ASTM B-62	1
5	10475	BRACKET	BRONZE	ASTM B-62	1
6	10730	ROLL PIN	BRASS	ASTM B-16	1
7	10459	BRACKET NUT	BRASS	ASTM B-16	1
8	10452	STEM	BRASS	ASTM B-16	1
9	10454	O RING	BUNA N	MIL STD 417 SB	1
10	10450	DISC CUP	BRASS	ASTM B-16	1
11	10451	DISC	BUNA N	MIL STD 417 SB	1
12	10453	STEM NUT	BRASS	ASTM B-16	1
13	10731	COTTER PIN	BRASS	ASTM B-16	1



<p>CONFIDENTIAL</p> <p>INFORMATION CONTAINED HEREIN IS CONFIDENTIAL, IT IS THE PROPERTY OF AIRCHIME MFG. CO. LTD.. IT IS TO BE USED SOLELY FOR THE PURPOSE PROVIDED, AND IT IS NOT TO BE DISCLOSED TO OTHERS WITHOUT THE PRIOR WRITTEN CONSENT OF AIRCHIME MANUFACTURING COMPANY LIMITED.</p> <p>© Copyright Airchime Mfg. Co. Ltd.</p>	CONTRACT NUMBER		 <p>AIRCHIME MANUFACTURING CO. LTD. LANGLEY, B.C. CANADA V4W 3S8</p>	
	CUSTOMER:			
	DRAWN BY: <i>L.H.F.</i>	DATE (YR-MO-DA) 95-05-31	<p>MANUAL VALVE SIZE 3/4" N.P.T.</p>	
	CHECKER: <i>D.W.C.</i>	ENGINEER <i>R.E.B.</i>	DRAWING STATUS: CONTROLLED & ACTIVE	SIZE A NSCM 36575
TYPE OF DRAWING: ASSEMBLY		SCALE: NONE	UNIT WT: 2 LBS	
		SHEET: 1 OF 1		