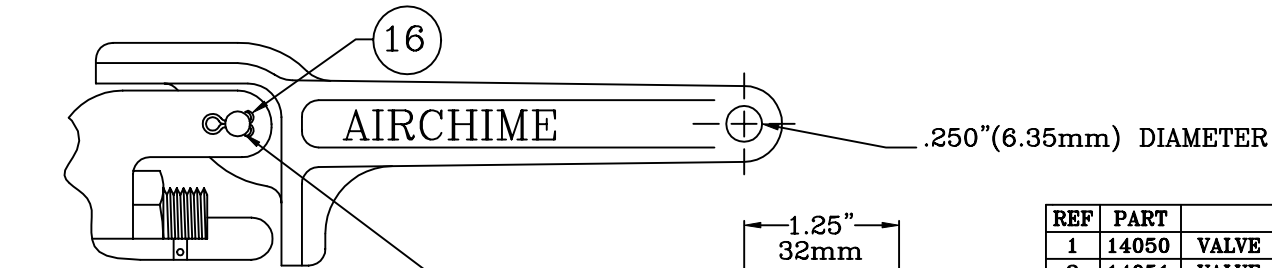
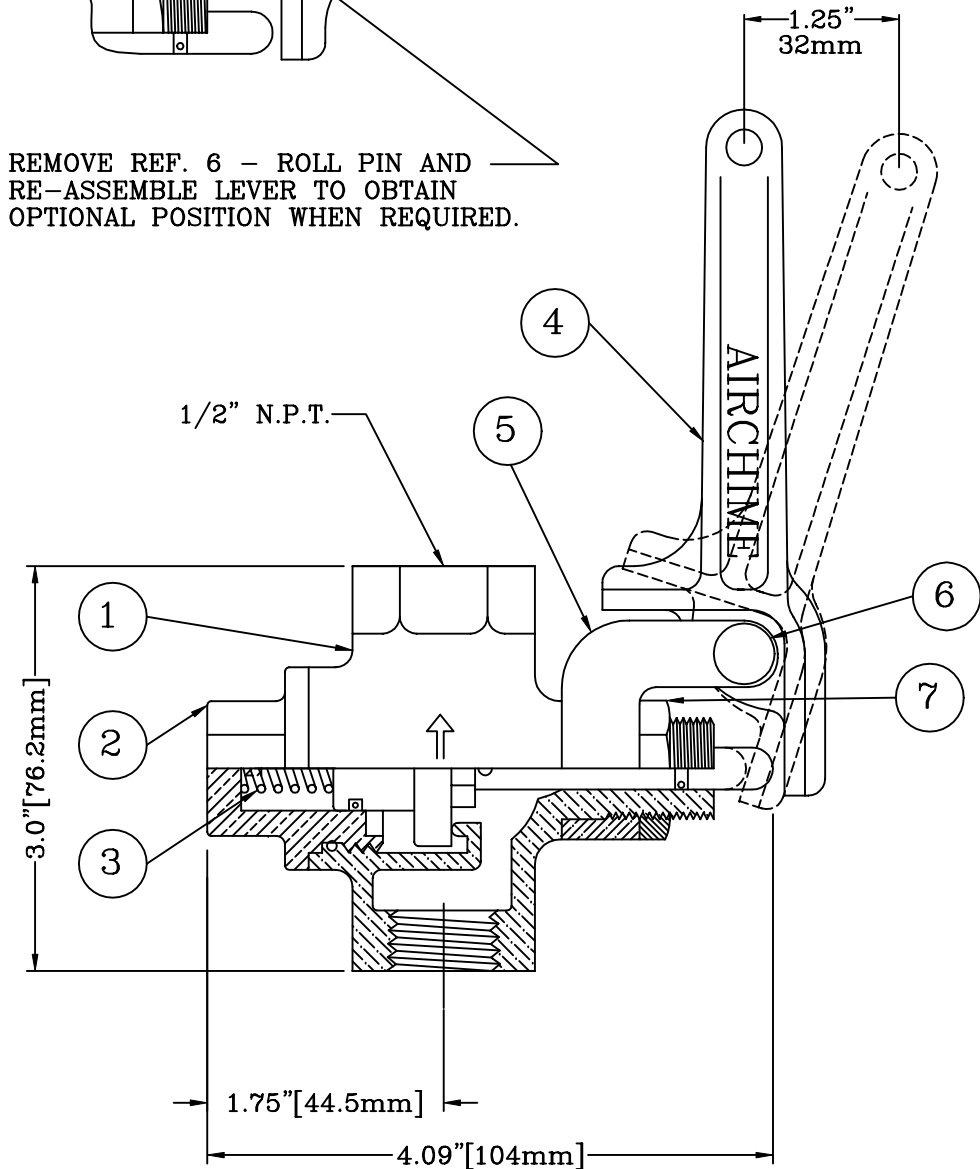


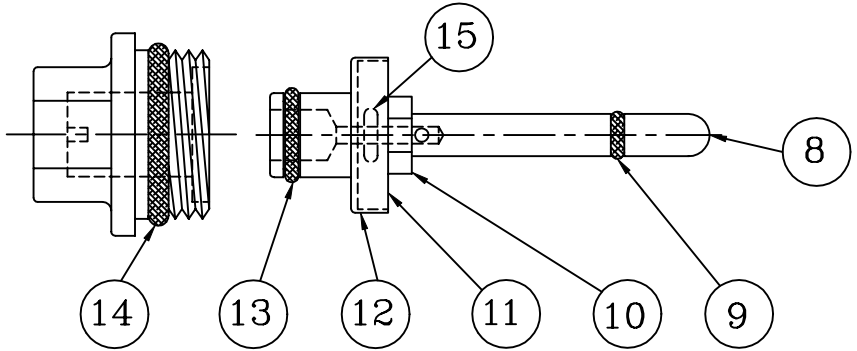
REVISIONS			
REV	DESCRIPTION	DATE (YR-MO-DA)	APPROVED
1	CHANGE BRACKET NUMBER FROM 10458 TO 10475	2001-01-23	L.H.F.




REMOVE REF. 6 - ROLL PIN AND RE-ASSEMBLE LEVER TO OBTAIN OPTIONAL POSITION WHEN REQUIRED.



REF	PART	DESCRIPTION	MATERIAL	SPECIFICATION	QTY
1	14050	VALVE BODY	CAST BRONZE	ASTM B-62	1
2	14051	VALVE CAP	CAST BRONZE	ASTM B-62	1
3	14052	SPRING	STAINLESS STEEL	ASTM A313	1
4	10456	LEVER	CAST BRONZE	ASTM B-62	1
5	10475	BRACKET	BRONZE	ASTM B-62	1
6	10730	ROLL PIN	BRASS	ASTM B-16	1
7	10459	BRACKET NUT	BRASS	ASTM B-16	1
8	14054	STEM	BRASS	ASTM B-16	1
9	14055	STEM O RING	BUNA N	MIL STD 417 SB	1
10	14056	STEM NUT	BRASS	ASTM B-16	1
11	14057	DISC	BUNA N	MIL STD 417 SB	1
12	14058	DISC CUP	BRASS	ASTM B-16	1
13	14062	PLUNGER O RING	BUNA N	MIL STD 417 SB	1
14	14063	VALVE CAP O RING	BUNA N	MIL STD 417 SB	1
15	14064	DISC O RING	BUNA N	MIL STD 417 SB	1
16	10731	COTTER PIN	BRASS	ASTM B-16	1



VALVE CAP AND STEM ASSEMBLY DRAWN IN DETAILS.

<p>CONFIDENTIAL</p> <p>INFORMATION CONTAINED HEREIN IS CONFIDENTIAL. IT IS THE PROPERTY OF AIRCHIME MFG. CO. LTD., IT IS TO BE USED SOLELY FOR THE PURPOSE PROVIDED, AND IT IS NOT TO BE DISCLOSED TO OTHERS WITHOUT THE PRIOR WRITTEN CONSENT OF AIRCHIME MANUFACTURING COMPANY LIMITED.</p> <p>© Copyright Airchime Mfg. Co. Ltd. 1994</p>	CONTRACT NUMBER		 <p>AIRCHIME MANUFACTURING CO. LTD. LANGLEY, B.C. CANADA V5W 3S8</p>	
	CONTRACTOR			
	DRAWN BY: L.H.F.	DATE (YR-MO-DA) 95-06-01	<p>MANUAL VALVE SIZE 1/2" N.P.T.</p>	
	CHECKER: D.W.C.	ENGINEER R.E.B.		
DRAWING STATUS: UNCONTROLLED & ACTIVE		SIZE A	NSCM 36575	10781
TYPE OF DRAWING: ASSEMBLY		SCALE: NONE	UNIT WT: 1.8 LBS	SHEET: 1 OF 1