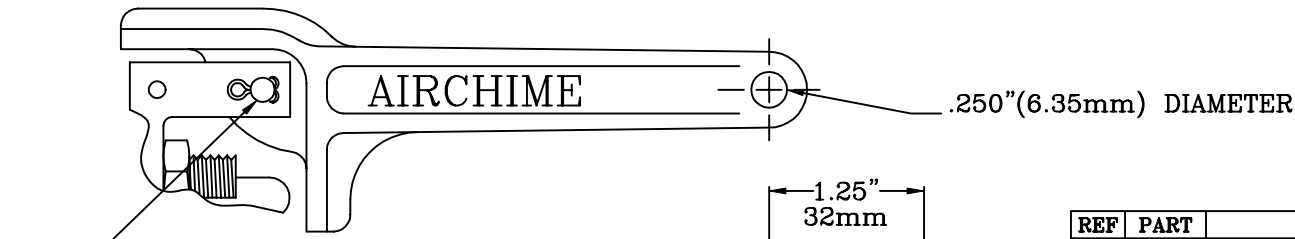
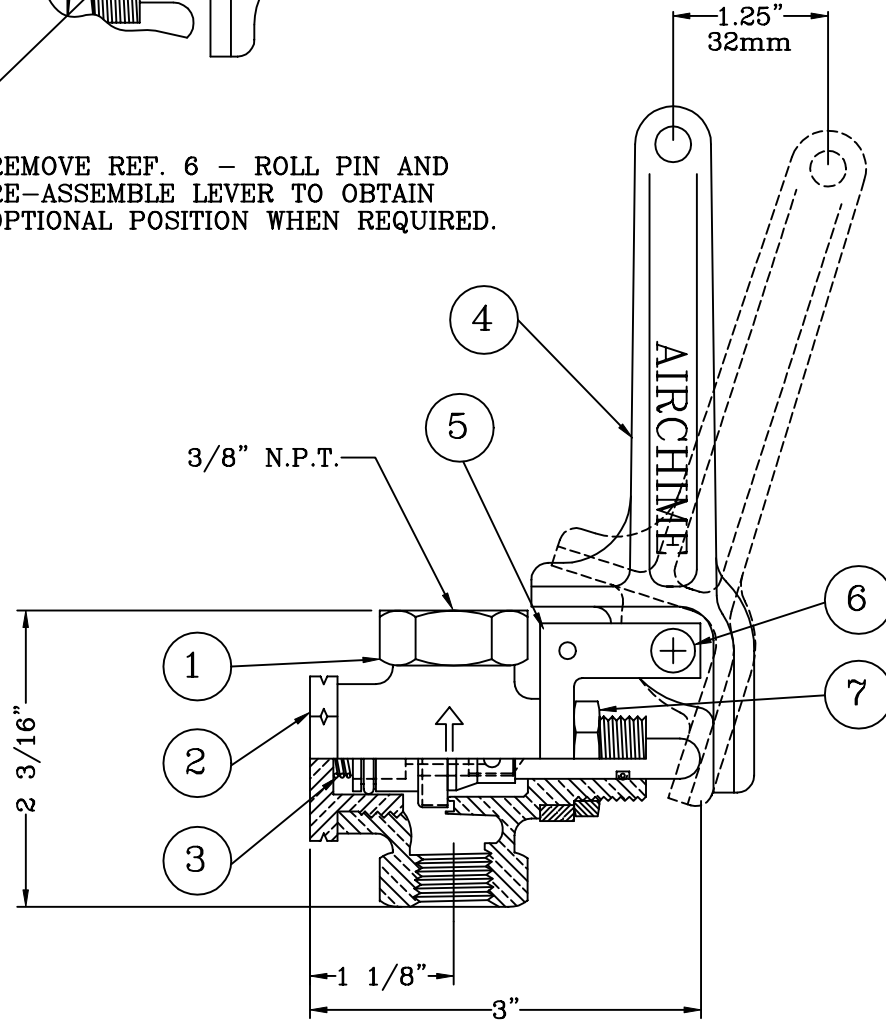


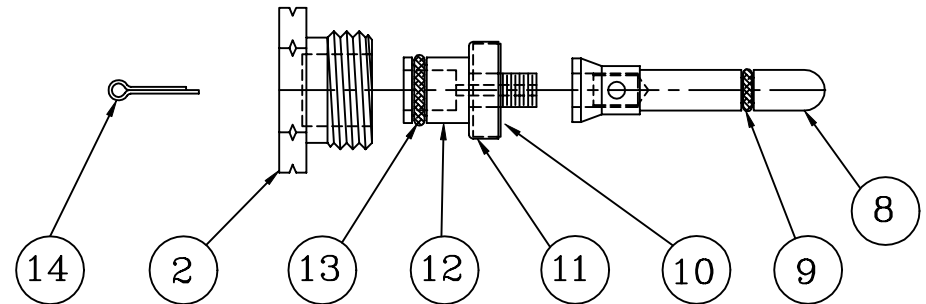
REVISIONS			
REV	DESCRIPTION	DATE (YR-MO-DA)	APPROVED
1	SUPERSEDES DWG. No. KH305A	95-06-01	L.H.F.




REMOVE REF. 6 - ROLL PIN AND RE-ASSEMBLE LEVER TO OBTAIN OPTIONAL POSITION WHEN REQUIRED.



REF	PART	DESCRIPTION	MATERIAL	SPECIFICATION	QTY
1	10435	VALVE BODY	CAST BRONZE	ASTM B-62	1
2	10436	VALVE CAP	BRASS	ASTM B-16	1
3	10442	SPRING	STAINLESS STEEL	ASTM A313	1
4	11818	LEVER	CAST BRONZE	ASTM B-62	1
5	10445	BRACKET	BRONZE	ASTM B-62	1
6	10444	ROLL PIN	BRASS	ASTM B-16	1
7	10446	BRACKET NUT	BRASS	ASTM B-16	1
8	10439	STEM	BRASS	ASTM B-16	1
9	10441	STEM O RING	BUNA N	MIL STD 417 SB	1
10	10438	DISC	BUNA N	MIL STD 417 SB	1
11	10437	DISC CUP	BRASS	ASTM B-16	1
12	10440	PLUNGER	BRASS	ASTM B-16	1
13	14066	PLUNGER O RING	BUNA N	MIL STD 417 SB	1
14	10731	COTTER PIN	BRASS	ASTM B-16	1



VALVE CAP AND STEM ASSEMBLY DRAWN IN DETAILS.

<p><b>CONFIDENTIAL</b></p> <p>INFORMATION CONTAINED HEREIN IS CONFIDENTIAL. IT IS THE PROPERTY OF AIRCHIME MFG. CO. LTD., IT IS TO BE USED SOLELY FOR THE PURPOSE PROVIDED, AND IT IS NOT TO BE DISCLOSED TO OTHERS WITHOUT THE PRIOR WRITTEN CONSENT OF AIRCHIME MANUFACTURING COMPANY LIMITED.</p> <p>© Copyright Airchime Mfg. Co. Ltd. 1994</p>	CONTRACT NUMBER		 <b>AIRCHIME MANUFACTURING CO. LTD.</b> LANGLEY, B.C. CANADA V4W 3S8	
	CONTRACTOR			
	DRAWN BY: L.H.F.	DATE (YR-MO-DA) 95-06-01	<b>MANUAL VALVE</b> <b>SIZE 3/8" N.P.T.</b>	
	CHECKER: D.W.C.	ENGINEER R.E.B.	DRAWING STATUS: <b>UNCONTROLLED &amp; ACTIVE</b>	SIZE A NSCM 36575 <b>10780</b>
TYPE OF DRAWING: <b>ASSEMBLY</b>		SCALE: NONE	UNIT WT: 13 OZ	SHEET: 1 OF 1