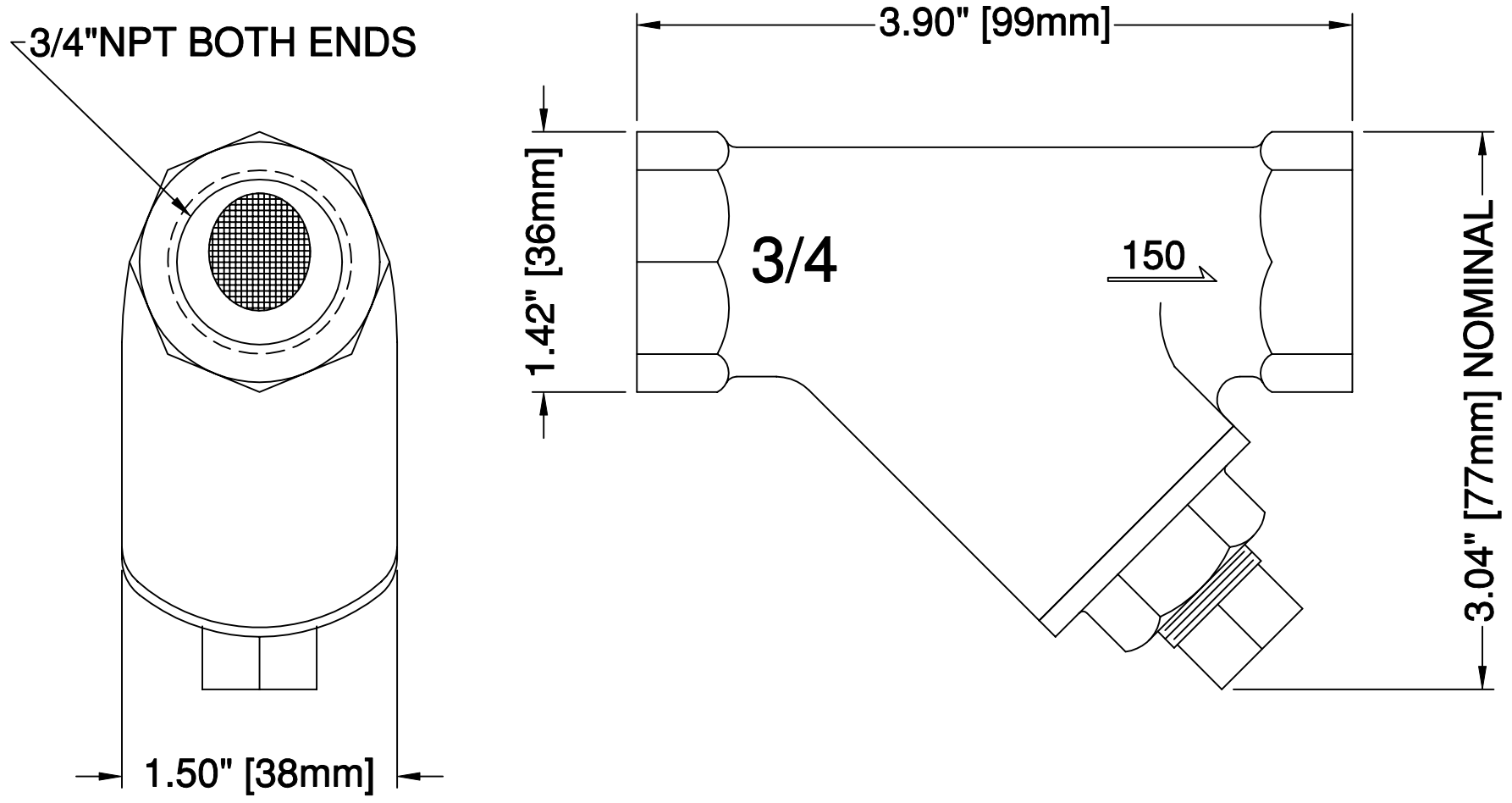



REVISIONS			
REV	DESCRIPTION	DATE (YR-MO-DA)	APPROVED



MAXIMUM OPERATING PRESSURE: 400PSI [28 BAR] @ 150°F
20 MESH SCREEN STAINLESS STEEL TYPE 304
MATERIAL: BRONZE CONSTRUCTION, ASTM B62
BODY SPECIFICATION: ASME B16.15

CONFIDENTIAL INFORMATION CONTAINED HEREIN IS CONFIDENTIAL, IT IS THE PROPERTY OF AIRCHIME MFG. CO. LTD., IT IS TO BE USED SOLELY FOR THE PURPOSE PROVIDED, AND IT IS NOT TO BE DISCLOSED TO OTHERS WITHOUT THE PRIOR WRITTEN CONSENT OF AIRCHIME MANUFACTURING COMPANY LIMITED.	CONTRACT NUMBER		 AIRCHIME MANUFACTURING CO. LTD. LANGLEY, B.C. CANADA V4W 3S8	
	CONTRACTOR			
	DRAWN BY: <i>L.H.F.</i>	DATE (YR-MO-DA) 2001-01-25	MODEL STR-3/4 STRAINER, 3/4"NPT DIMENSIONAL ASSEMBLY	
	CHECKER : <i>B.F.</i>	APPROVED: <i>B.W.C.</i>	SIZE A	NSCM 36575
DRAWING STATUS: CONTROLLED & ACTIVE		10792		
TYPE OF DRAWING: PRODUCTION		SCALE: NONE	UNIT WT: 0.44 KG	
		SHEET: 1 OF 1		