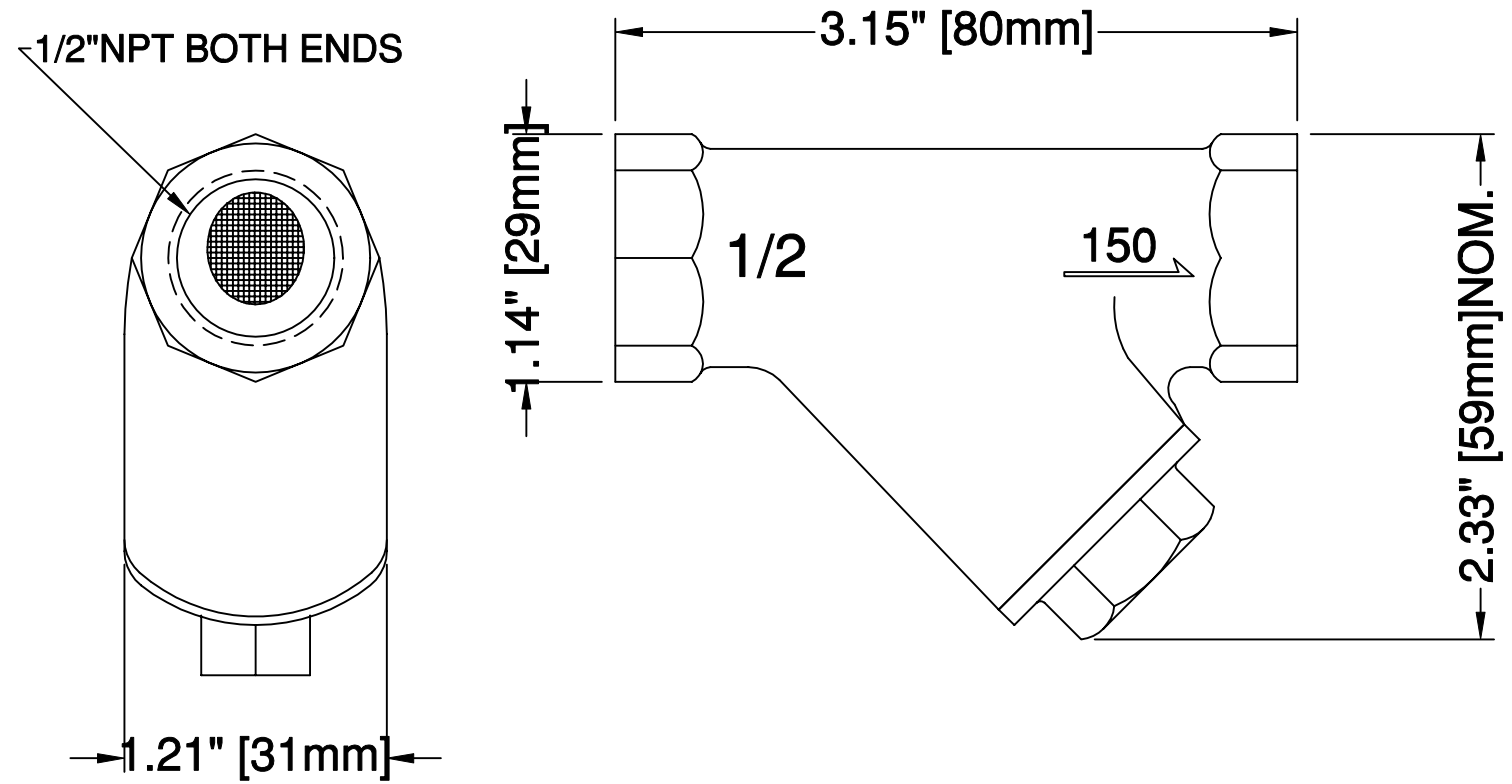



REVISIONS			
REV	DESCRIPTION	DATE (YR-MO-DA)	APPROVED



**MAXIMUM OPERATING PRESSURE: 400PSI [28 BAR] @ 150°F**  
**20 MESH SCREEN STAINLESS STEEL TYPE 304**  
**MATERIAL: BRONZE CONSTRUCTION, ASTM B62**  
**BODY SPECIFICATION: ASME B16.15**

<b>CONFIDENTIAL</b> INFORMATION CONTAINED HEREIN IS CONFIDENTIAL. IT IS THE PROPERTY OF AIRCHIME MFG. CO. LTD., IT IS TO BE USED SOLELY FOR THE PURPOSE PROVIDED, AND IT IS NOT TO BE DISCLOSED TO OTHERS WITHOUT THE PRIOR WRITTEN CONSENT OF AIRCHIME MANUFACTURING COMPANY LIMITED.	CONTRACT NUMBER		 <b>AIRCHIME MANUFACTURING CO. LTD.</b> LANGLEY, B.C. CANADA V4W 3S8	
	CONTRACTOR			
	DRAWN BY: <i>L.H.F.</i>	DATE (YR-MO-DA) 2000-12-10	<b>MODEL STR-1/2</b> <b>THREADED STRAINER, 1/2"NPT</b>	
	CHECKER : <i>B.F.</i>	APPROVED: <i>B.W.C.</i>		
DRAWING STATUS: CONTROLLED & ACTIVE		SIZE A	NSCM 36575	
TYPE OF DRAWING: PRODUCTION		SCALE: NONE	UNIT WT: 0.31 KG	
		<b>10791</b> SHEET: 1 OF 1		