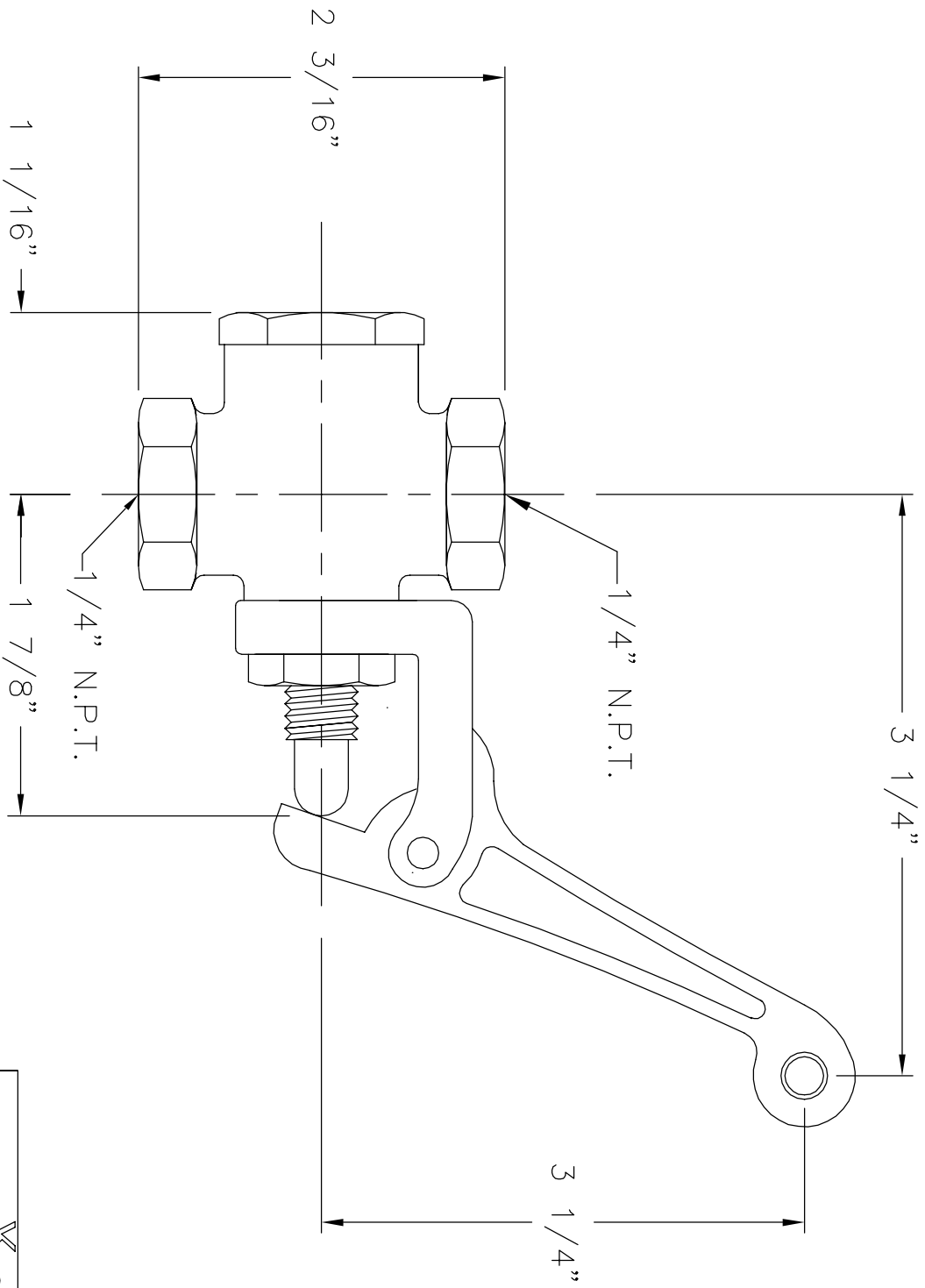


2-1456-C

REV.	BY	DATE	DESCRIPTION	APP'D.
C	ZJN	06/95	DIMENSION & PARTS UPDATE	



NET WEIGHT  
1 LB.

PL 2-5363

		KAHLENBERG BROS. CO.		TWO RIVERS, WI. U.S.A.	
		OUTLINE DIMENSIONS BRONZE WHISTLE VALVE 1/4" N.P.T., FIG. V-11, RENEWABLE DISC. 250 P.S.I. AIR, MARINE SERVICE KBC PART #VA / 21456 / 00000 / NF			
DR.	DATE	CKD.	SCALE	DRWG. NO.	REV.
ZJN	06/21/95		N.T.S.	2-1456	C