

Model T-3A Air Horn

Designed for use on vessels up to 75 Meters in length, the Kahlenberg Model T-3A Air Horn is an extremely durable unit built for a lifetime of trouble-free service. The T-3A Air Horn produces a three note musical chord that draws attention due to its unique sound which penetrates background noise more effectively than a single tone horn. This horn is also available with maneuvering light installed..



TECHNICAL DATA

Fundamental Frequency: 208, 261, 311 Hz
S.P.L. : (1/3 Octave @ 1 Meter): 135 dB

Air Consumption:

52 C.F.M. @ 100 p.s.i., 8 l/s @ 7 bar

Air Pressure Required:

100 to 250 p.s.i., 7 to 17 bar
(Higher pressures with optional regulators)

Electrical Power Required:

Any standard A.C. or D.C. Voltage

Material: Cast Bronze and Spun Brass

Net Weight: 75 lbs., 34 kg.,

Finish:

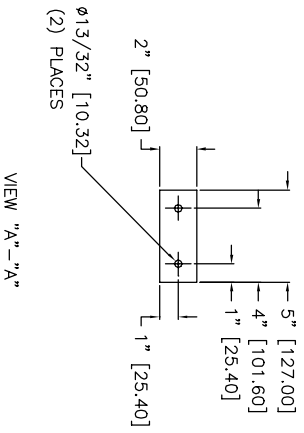
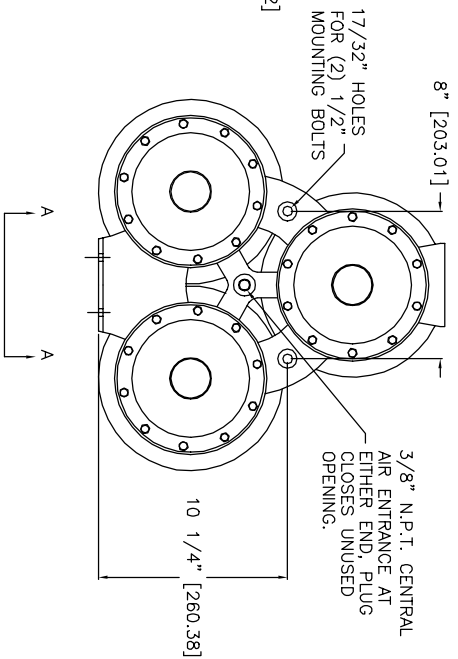
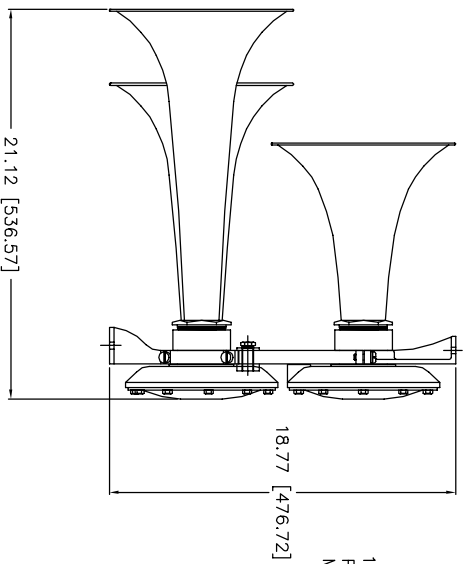
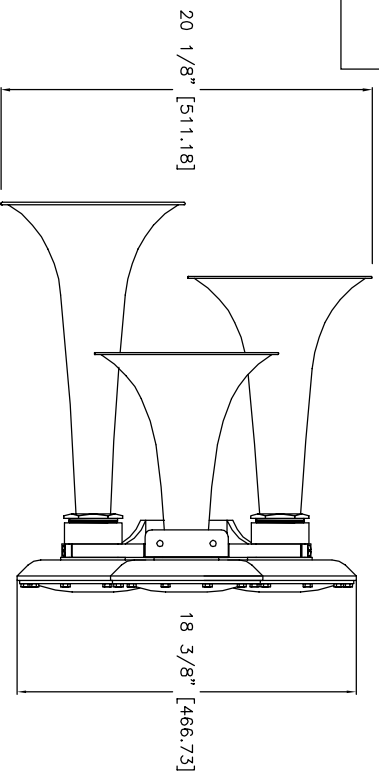
None, White Powdercoat or Chrome Plate

Dimensions:

21" x 18.5" x 19" (533x469x483)

- **FOR VESSELS LESS THAN 75 METERS IN LENGTH**
- **MEETS OR EXCEEDS IMO REQUIREMENTS**
- **OPERATES ON A WIDE RANGE OF AIR PRESSURE**
- **HIGHLY RELIABLE, VIRTUALLY NO MAINTENANCE**
- **OPERATES WITH REMOTE MANUAL/SOLENOID VALVES, AIR STRAINER.**
- **AVAILABLE WITH OPTIONAL MANEUVERING LIGHT**

*Conforming to International Maritime Regulations
For Vessels Less Than 75 Meters in Length.*



TECHNICAL DATA
 Frequency: 208, 261, 311 Hz
 Sound Pressure Level (1/3 octave at 1 meter): 142-2dB
 Sound Pressure Level (dB(A) at 1 meter): 135dB
 Air Consumption: appx. 78 C.F.M. @ 150 P.S.I.
 Air Pressure Req: 100 To 250 P.S.I.
 Electric Power: Any Standard A.C. or D.C. voltage
 Material: Spun Brass & Cast Bronze
 Net Weight: 75 Lbs.
 Shipping Weight: 132 Lbs.

Price: \$ _____ U.S.D. Net. Ea.
 (Valid for 60 days, F.O.B. Two Rivers, WI, U.S.A.)

Kahlenberg Bros. Co. Two Rivers, WI, U.S.A.

Kahlenberg's
OUTLINE DIMENSIONS
MODEL T-3A, FIG. 313
AIRHORN

DATE	DRWG. NO.	REV.
04/12/01	3-5446	A EMK