

Model Q-3A Yacht Horn

Kahlenberg Chimetone Air Horns all utilize more than one projector or “trumpet” in their design. These projectors each produce a different fundamental frequency which combine to produce powerful, distinctive, musical chords. To hear a Chimetone Air Horn is to realize that the sound of a vessel can be one of its most impressive aspects. The Model Q-3A Air Horn is designed for the most discriminating yachtsman. It is made entirely of bronze and brass, and is triple plated for a deep chrome finish.



TECHNICAL DATA

Fundamental Frequency: 311, 283, 247, and 174 Hz

S.P.L. : (1/3 Octave @ 1 Meter): 136 dB

Air Consumption:

64 C.F.M. @ 100 p.s.i., 30 l/s @ 7 bar

Air Pressure Required:

100 to 250 p.s.i., 7 to 17 bar
(Higher pressures with optional regulators)

Electrical Power Required:

Any standard A.C. or D.C. Voltage

Material: Cast Bronze and Spun Brass

Net Weight: 100 lbs., 45 kg.

Finish:

White Powdercoat or Chrome Plate

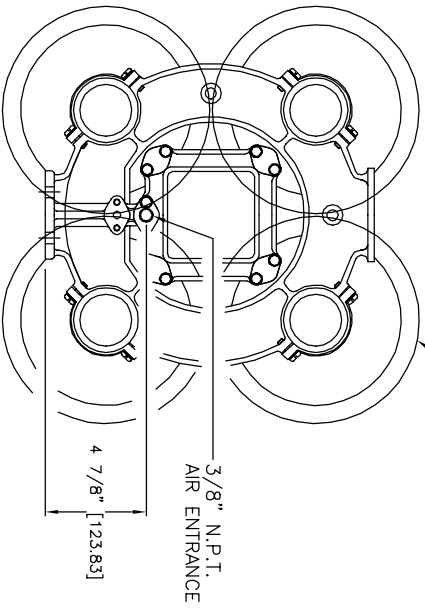
Dimensions:

24.5” x 16.5” x 20.25” (622x419x514)
(dimensions without optional light)

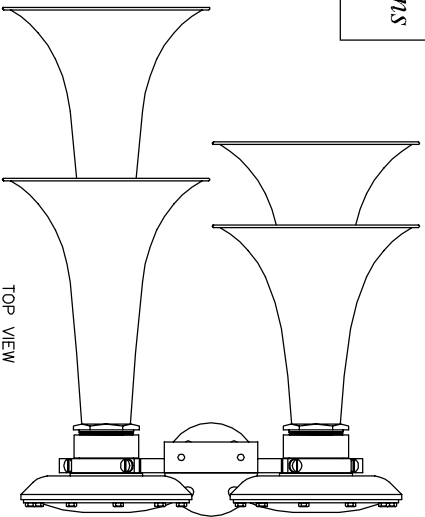
- **FOR VESSELS LESS THAN 75 METERS IN LENGTH**
- **MEETS OR EXCEEDS IMO REQUIREMENTS**
- **LOW AIR CONSUMPTION, OPERATES ON A WIDE RANGE OF AIR PRESSURE**
- **HIGHLY RELIABLE, VIRTUALLY NO MAINTENANCE**
- **OPTIONAL DIRECTLY MANIFOLDED MANUAL/SOLENOID VALVES, AIR STRAINER AND MANEUVERING LIGHT**

*Conforming to International Maritime Regulations
For Vessels Less Than 75 Meters in Length.*

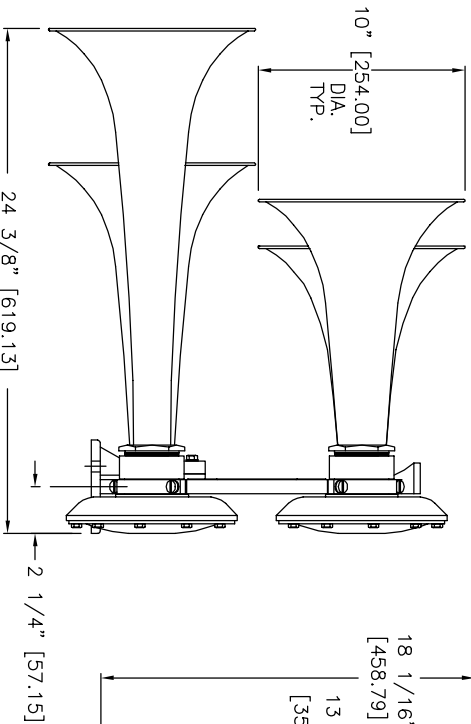
PROJECTORS IN THIS
VIEW ARE DEPICTED
WITH PHANTOM
LINES.



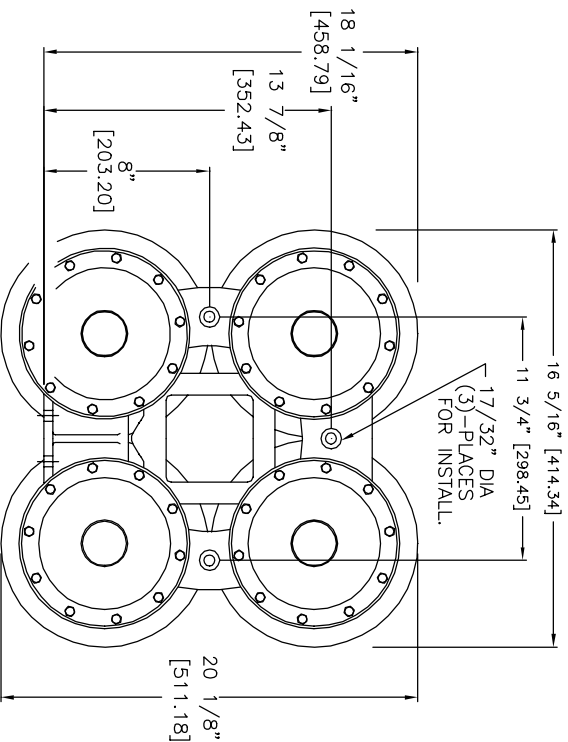
FRONT VIEW



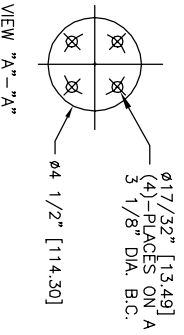
TOP VIEW



SIDE VIEW



REAR VIEW



VIEW "A"- "A"

TECHNICAL DATA

Frequency: 174, 247, 283, & 311 Hz
 Sound Pressure Level (dB(A) at 1 meter): 142dB
 Sound Pressure Level (1/3 octave at 1 meter): 136dB
 Air Consumption: appx. 96 C.F.M. @ 150 P.S.I.
 Air Pressure Req: 100 To 250 P.S.I.
 Electric Power: Any Standard A.C. or D.C. voltage
 Material: Spun Brass & Cast Bronze
 Net Weight: 100 lbs.
 Shipping Weight: 186 lbs.

Price: \$ _____ U.S.D. Net. Ea.
 (Valid for 60 days, F.O.B. Two Rivers, WI, U.S.A.)



KAHLENBERG BROS. CO. TWO RIVERS, WI. U.S.A.

**OUTLINE DIMENSIONS
MODEL Q3-A, FIG. 413
AIRHORN**

DATE	DRWG. NO.	REV.
04/12/01	3-5471	A EMK