

Directional, Single Tone Industrial Air Horn

*EFFECTIVE OUTDOOR COVERAGE OF UP TO 2.5 KILOMETERS



- Single tone, 622 Hz fundamental frequency, engineered to produce full harmonic contents up to 12 octaves which greatly enhance warning effectiveness
- Horn is energy efficient with hermetically sealed diaphragm assembly which operates on a wide range of pressure without tuning or adjustment.
- Horn construction: High strength aluminum casting, stainless steel diaphragm discs and fasteners.

* Signal will produce a sound pressure level of approximately 70 dB @ 2.5 km in calm, cool conditions without topographical interference. Signal strength at distance can vary dramatically depending on environmental and geographical conditions. Please consult factory for more detailed information.

SPL (loudness) on Total:	139 ± 1 dBA @ 1 meter
Air Inlet:	1/2" NPT
Operating medium:	Air, nitrogen, CO ₂
Air consumption:	18 L/Sec [38 SCFM] at 7 bars [100 PSIG]
Control:	Manual, Solenoid or Combination valve
Audibility:	2.5 km on still air
Fundamental Frequency:	512 Hz ± 30 Hz
Tone (musical note):	C ₅ natural
Operating Pressure:	2 – 10 bars [30 – 150 PSIG]
Operating Temperature:	-40°C to +85°C [-40°F to +185°F]
Finish:	Painted red
Degree of Protection:	IP 54
Basic Dimension:	228mm x 152mm x 152mm [9"x 6"x 6"]
Net Weight:	2 kg [4.5 lbs]

Kahlenberg Industries, Inc.

1700 12th Street, P.O. Box 358
Two Rivers, Wisconsin, 54241

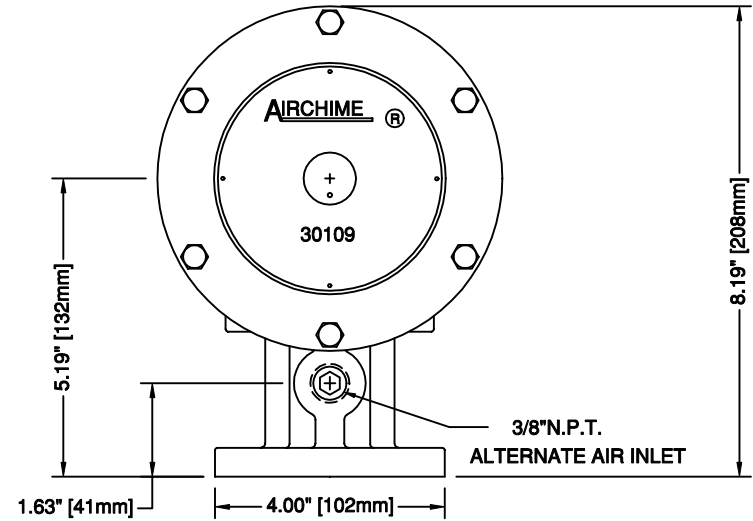
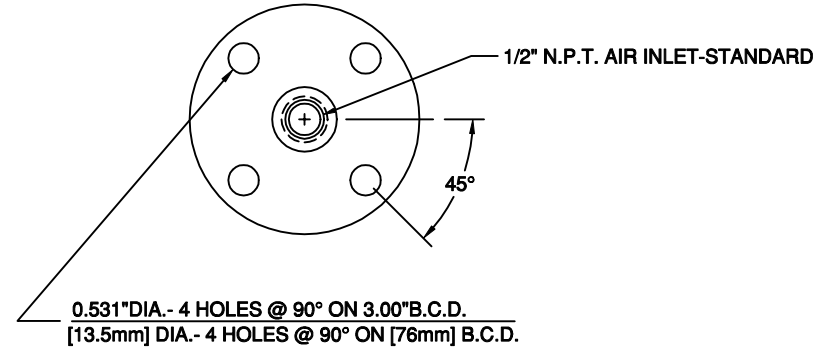
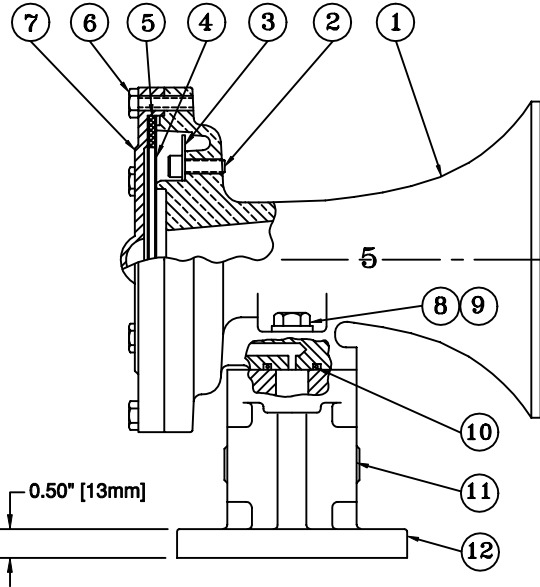
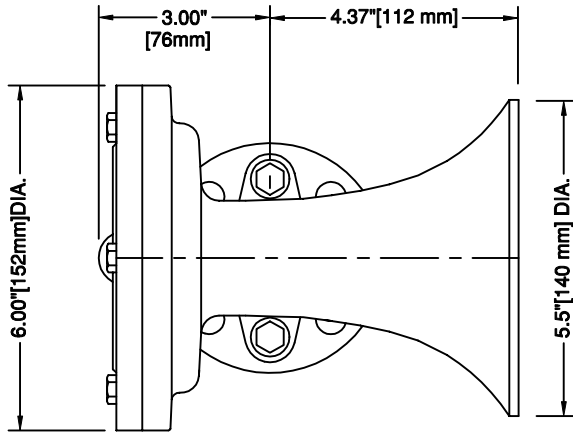
Phone: (920) 793-4507 / Fax: (920) 793-1346

Website: www.kahlenberg.com Email: info@kahlenberg.com

REVISIONS


REV	DESCRIPTION	(YR-MO-DA)	APPROVED
1	SUPERSEDES DWG No. WH-30154	95-02-27	D. W. C.

FUNDAMENTAL FREQUENCY: 622 Hz



ALL DIMENSIONS ARE FOR REFERENCE ONLY, U.O.S.

REF	PART	DESCRIPTION	MATERIAL	SPECIFICATION	QTY
1	30105	BELL BODY No. 5	DIE CAST ALUMINUM	ASTM-B26-65	1
2	30144	SOCKET HD. CAP SCREW	STAINLESS STEEL	ASTM F837	3
3	30143	DIFFUSER	STAINLESS STEEL	UNS-S30400	1
4	30111	DIAPHRAGM DISC	STAINLESS STEEL	UNS-S30100	2
5	30112	CUSHION RING	SILICONE RUBBER	ASTM D2000	1
6	30110	HEX HEAD CAP SCREW	STAINLESS STEEL	ASTM F593C	6
7	30109	DIAPHRAGM CAP	DIE CAST ALUMINUM	ASTM-B26-65	1
8	30119	HEX HEAD CAP SCREW	STAINLESS STEEL	ASTM F593C	2
9	30122	LOCKWASHER	STAINLESS STEEL	ASA B27.1	2
10	30211	O RING	BUNA N	ML STD 417SB	1
11	20914	PIPE PLUG 3/8" N.P.T.	ALLOY STEEL	ASA B18.8	2
12	30117	SINGLE TONE BASE	CAST ALUMINUM	UNS A03562	1

<p>CONFIDENTIAL</p> <p>INFORMATION CONTAINED HEREIN IS CONFIDENTIAL; IT IS THE PROPERTY OF AIRCHIME MFG. CO. LTD. IT IS TO BE USED SOLELY FOR THE PURPOSE PROVIDED AND IT IS NOT TO BE DISCLOSED TO OTHERS WITHOUT THE PRIOR WRITTEN CONSENT OF AIRCHIME MANUFACTURING COMPANY LIMITED.</p> <p>© CopyRight Airchime Mfg. Co. Ltd.</p>	CONTRACT NUMBER:		 <p>AIRCHIME MANUFACTURING CO. LTD. LANGLEY, B.C. CANADA V4W 3S8</p>	
	CONTRACTOR:			
	DRAWN BY: <i>S. W. P.</i>	DATE: 1980-02-27	<p>MODEL K-5 SINGLE BELL WHISTLE</p>	
	CHECKED BY: <i>R. E. S.</i>	APPROVED BY: <i>R. E. S.</i>		
SCALE: NONE	WEIGHT: 4.5 lb	30235	DRAWING TYPE: ASSEMBLY	
		SHEET: 1 OF 1		