

Omni Directional, Single Tone Wide Area Warning System

*EFFECTIVE OUTDOOR COVERAGE RADIUS OF UP TO 7 KILOMETERS



- Fully enclosed and heated air horn for corrosion and weather resistance (available non-heated)
- Single tone, 135 Hz (other frequencies available)
- Heaters supplied with thermostat preset to turn on at 4°C [40°F] and off at 13°C [55°F], 600 watt heating capacity
- Solenoid valves come standard with explosion proof coil and are available in 120VAC, 240VAC/50-60Hz or 12, 24, 48VDC
- Designed for arctic freezing conditions
- Constructed of aluminum with steel supporting frame

* Signal will produce a sound pressure level of approximately 70 dB @ 7 km in calm, cool conditions without topographical interference. Signal strength at distance can vary dramatically depending on environmental and geographical conditions. Please consult factory for more detailed information.

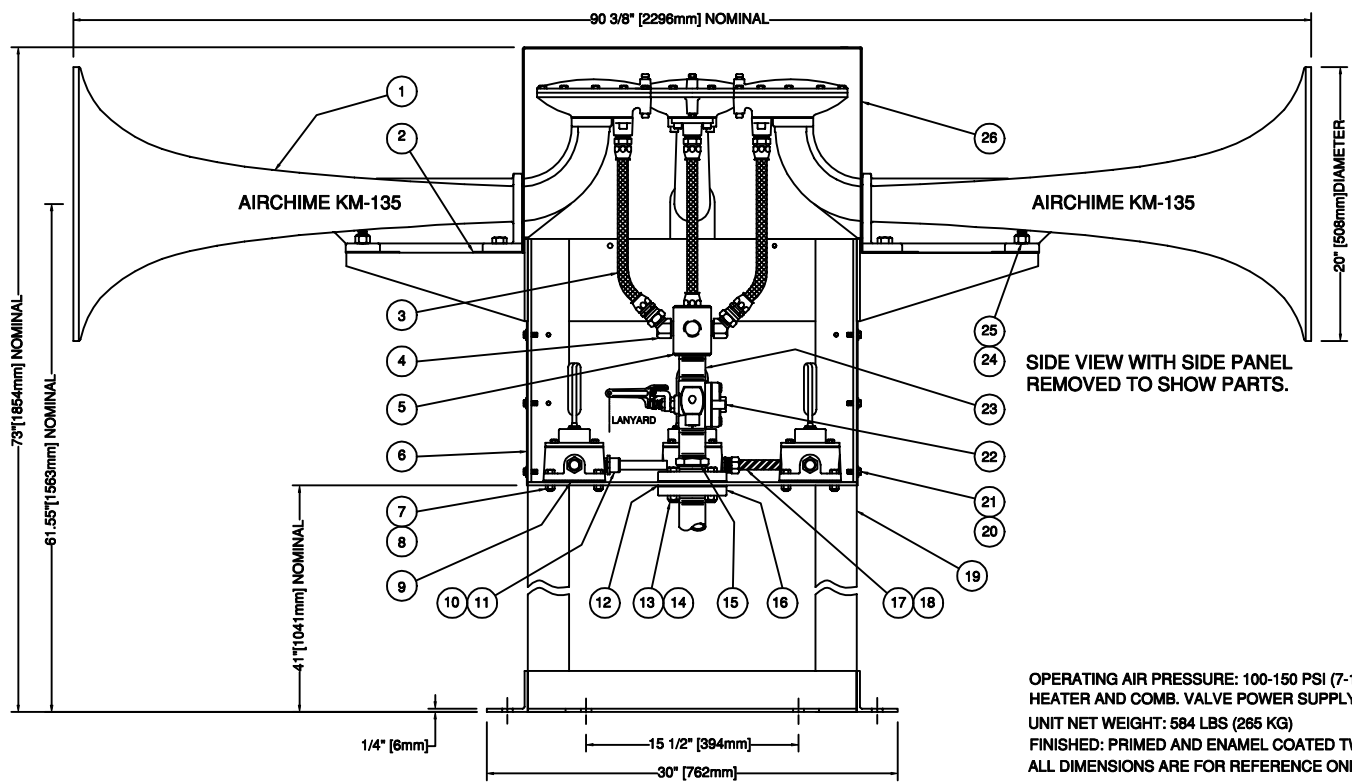
Operating Medium:	Air, nitrogen
Control:	Manual & solenoid combination valve
SPL (Loudness):	149 ± 1 dB total @ 1 meter
Air Consumption of Each Horn:	271 L/sec [576 SCFM] @ 9 bar [125 PSIG]
Audibility:	7 km in still air
Fundamental Frequency:	135 Hz ± 10 Hz
Tone (Musical Note):	C ₃ sharp
Operating Pressure:	3 – 12 bar [50 – 175 PSI] (higher pressures available)
Operating Temperature:	-40°C to +65°C [-22°F to +149°F]
Finish:	Primed and enamel coated twice
Degree of Protection:	IP 55
Basic Dimension:	2296x2296x1854mm [90x90x73"]

Kahlenberg Industries, Inc.

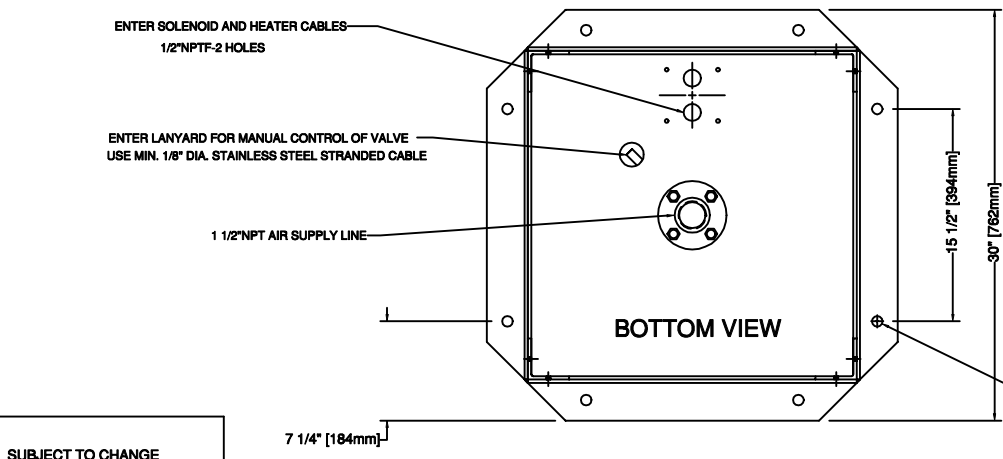
1700 12th Street, P.O. Box 358
Two Rivers, Wisconsin, 54241

Phone: (920) 793-4507 / Fax: (920) 793-1346

Website: www.kahlenberg.com **Email:** info@kahlenberg.com



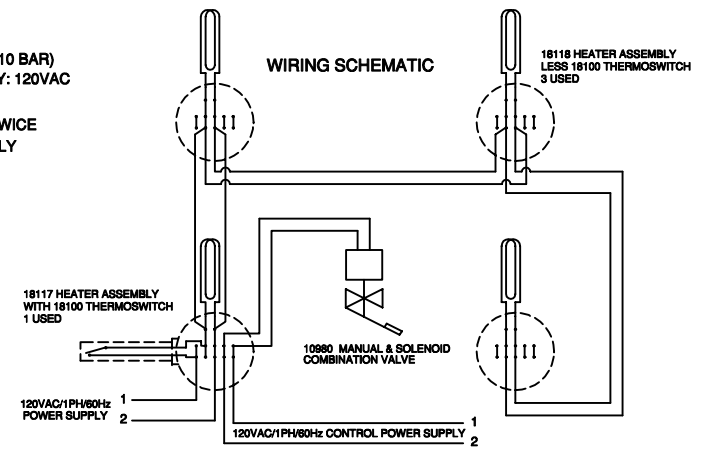
OPERATING AIR PRESSURE: 100-150 PSI (7-10 BAR)
 HEATER AND COMB. VALVE POWER SUPPLY: 120VAC
 UNIT NET WEIGHT: 584 LBS (265 KG)
 FINISHED: PRIMED AND ENAMEL COATED TWICE
 ALL DIMENSIONS ARE FOR REFERENCE ONLY



REVISIONS			
REV	DESCRIPTION	DATE (YY-MM-DD)	APPROVED
1	SUPERSEDES DRAWING NUMBER 135010	99-01-21	Z.X.F.

* RECOMMENDED SPARE PARTS

REF	PART	DESCRIPTION	MATERIAL	SPECIFICATION	QTY
1	32235	KM-135 WHISTLE	ASSEMBLY	DWG No. 32235	4
* 2	13206	GASKET	NEOPRENE	ASTM D2000 BGRB	8
3	13218	HOSE ASSEMBLY	RUBBER/STEEL	COMMERCIAL	4
4	85254	ELBOW	STEEL, CAD PLATED	ASTM B-84	4
5	13220	MANIFOLD	STAINLESS STEEL	UNS S30400	1
6	13202	SIDE PANEL	MILD STEEL	CSA G40.12	4
7	18112	HEX HEAD CAP SCREW 1/4-20	STAINLESS STEEL	ASTM F593C	16
8	18114	HEX LOCKNUT 1/4-20 UNC	STAINLESS STEEL	ASTM F594	16
* 9	18106	HEATER BASE GASKET	CORK RUBBER	COMMERCIAL	4
* 10	18117	HEATER ASSEMBLY	ASSEMBLY	NSCM 36375	1
11	18118	HEATER ASSY LESS SWITCH	ASSEMBLY	NSCM 36375	3
12	13212	GASKET, PIPE FLANGE	CORK RUBBER	COMMERCIAL	2
13	90155	HEX HEAD CAP SCREW 1/2-13	STAINLESS STEEL	ASTM F593C	4
14	86211	HEX LOCKNUT 1/2-13 UNC	STAINLESS STEEL	ANSI B16.8	4
15	13215	HEX BUSHING 1 1/2 - 1 1/4	STAINLESS STEEL	ASTM F593C	1
16	13213	PIPE FLANGE, 1 1/2"NPT	FORGED STEEL	ANSI B16.5	2
17	13210	LIQUID TIGHT CONDUIT	ASSEMBLY	COMMERCIAL	4
18	13211	LIQUID TIGHT CONNECTOR	TIN/PVC	COMMERCIAL	4
19	13207	FRAME STRUCTURE	MILD STEEL	CSA G40.12	1
20	90162	HEX HEAD CAP SCREW 5/16-18	STAINLESS STEEL	ASTM F593C	32
21	10718	FLAT WASHER 5/16	STAINLESS STEEL	ASA B27.2	32
* 22	10980	COMBINATION VALVE, 1 1/4"NPT	ASSEMBLY	DWG No. 10976	1
23	13221	PIPE NIPPLE, 1 1/4"NPT	STAINLESS STEEL	ANSI B16.5	2
24	10605	HEX HEAD CAP SCREW 5/8-11	STAINLESS STEEL	ASTM F593C	16
25	90150	HEX LOCK NUT 5/8-18 UNC	STAINLESS STEEL	ASTM F694	16
26	13204	FRAME COVER	MILD STEEL	CSA G40.12	1



CONFIDENTIAL INFORMATION CONTAINED HEREIN IS CONFIDENTIAL, IT IS THE PROPERTY OF AIRCHIME MFG. CO. LTD. IT IS TO BE USED SOLELY FOR THE PURPOSE PROVIDED, AND IT IS NOT TO BE DISCLOSED TO OTHERS WITHOUT THE PRIOR WRITTEN CONSENT OF AIRCHIME MANUFACTURING COMPANY LIMITED. © Copyright Airchime Mfg. Co. Ltd.	CONTRACT NUMBER: CUSTOMER:	AIRCHIME MANUFACTURING CO. LTD. LANGLEY, B.C. CANADA V4W 3S8	
	DRAWN BY: Z.X.F. DATE (YY-MM-DD): 99-11-12 CHECKER: R.J.C. APPROVED: J.W.C.		MODEL KM4-135-EN OMNI DIRECTIONAL, ENCLOSED & HEATED HORNS
	DRAWING STATUS: CONTROLLED & ACTIVE TYPE OF DRAWING: ASSEMBLY	SIZE: B NSCM 36575 32310	SCALE: NONE UNIT WT: 584 LBS SHEET: 1 OF 1

SUBJECT TO CHANGE