

Model KB-30 Electronic Horn/Hailer System

The Kahlenberg KB-30 is an Electronic Horn/Hailing system for marine use that produces a horn signal in excess of 130 dB (1/3 Octave Band) as required for vessels up to 75 meters in length, as well as voice amplification. The KB-30 System consists of two major components being the horn/driver unit, and control/microphone unit.



Technical Details

Frequency: 695 Hz

S.P.L. Output: 131 dB (1/3 Octave Band)

Voltage: 24 Volt D.C.

Power Consumption: 100 Watts

Materials:

(Horn): Fiberglass Laminated Polyester

(Driver): Aluminum Alloy

(Mounting Bracket): Polished Stainless Steel

Finish: Matterhorn White Polyurethane







Net Weight: (Horn): 15 lbs. (6.8 kg)

Ingress Protection: (Horn) IP67

Max./Min. Amb. Temp.: 200 deg. C/-50 deg. C.

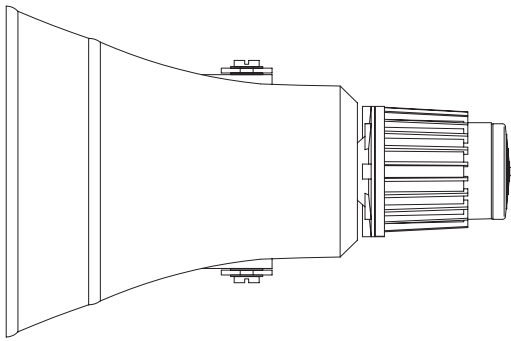
Cable Size: 8-13mm

Features and benefits of the KB-30 include:

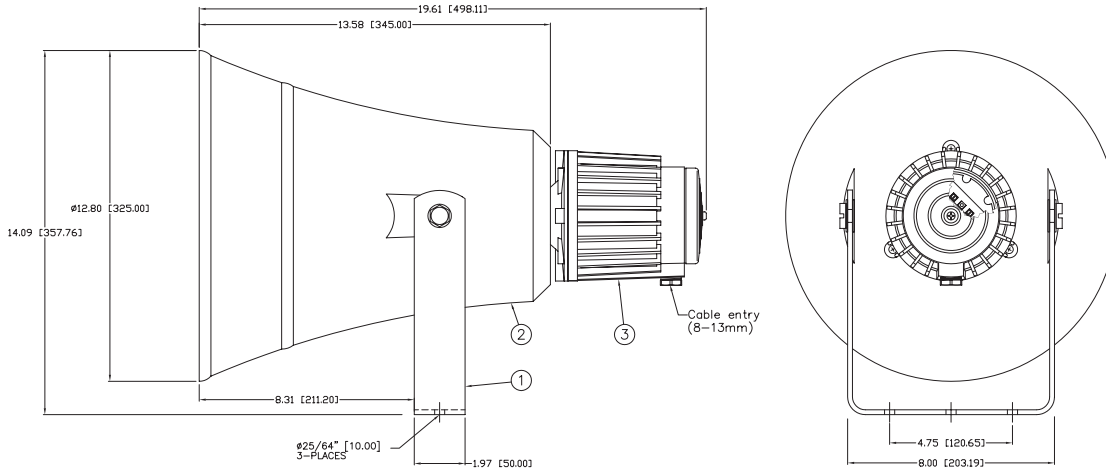
-  **100 Watts of Horn and Hailing Power**
-  **Automatic Restricted Visibility and Maneuvring Codes including SOLAS General Alarm Code**
-  **Type Approved for Vessels up to 75 Meters in Length**
-  **Attractive Console Mount M-511D Control with remote console mount microphone jack included**
-  **Full Time Heater included to eliminate moisture and provide additional protection from freezing in horn driver unit**
-  **Auxiliary Audio Inputs Included**

Kahlenberg Industries, Inc.
1700 12th Street, P.O. Box 358
Two Rivers, WI 54241 U.S.A.
www.kahlenberg.com

REV.	BY	DATE	DESCRIPTION	APP'D.
A	ZJN	08/10/07	ADDED CABLE SIZE TO CABLE ENTRY NOTE	EMK
B	ZJN	09/10/07	ADDED TEMPERATURE RANGE NOTE	EMK



ITEM	PART NO.	DESCRIPTION	QUAN.
1	P564-03	MOUNTING BRACKET	1
2	PT001-007	PROJECTOR	1
3	PT120-002	DRIVER UNIT	1



TECHNICAL DATA
 Frequency: 695 Hz
 Sound Pressure Level (dB(A) at 1 meter): 130dB
 Sound Pressure Level (1/3 octave at 1 meter): 131dB
 Electric Power: 24 V.D.C.
 Power Consumption: 100 Watts
 Protection of Ingress: IP67
 Temperature Range: -30°F (-34°C) to 120°F (49°C)
 Material (Projector): Fiberglass laminated polyester
 (Driver): Aluminum alloy
 (Mounting Bracket): Polished 304 stainless steel
 Finish: Matterhorn White polyurethane
 Net Weight: 15 Lbs.
 Shipping Weight: 23 Lbs.

Price: \$ _____ U.S.D. Net. Ea.
 (Valid for 60 days, F.O.B. Two Rivers, WI. U.S.A.)

Kahlenberg

KAHLENBERG BROS. CO. TWO RIVERS, WI. U.S.A.

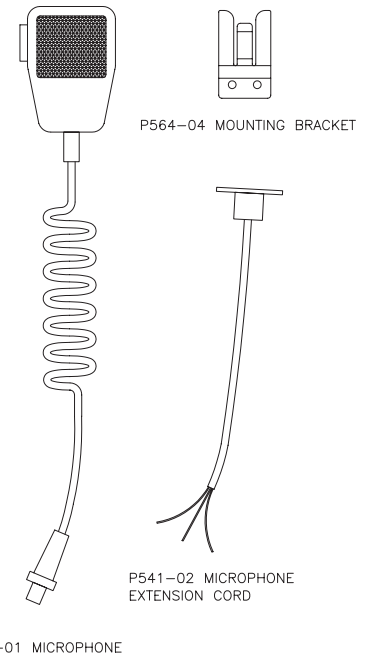
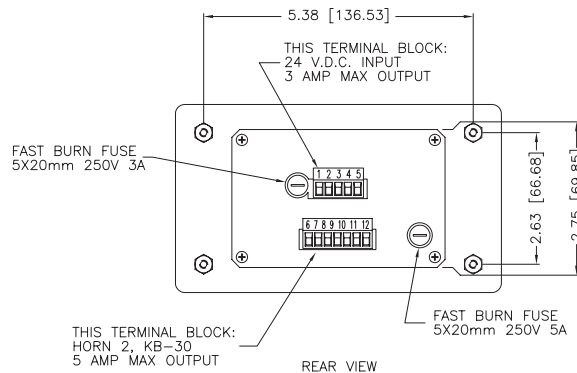
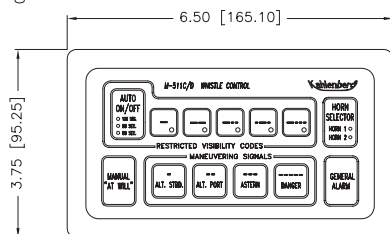
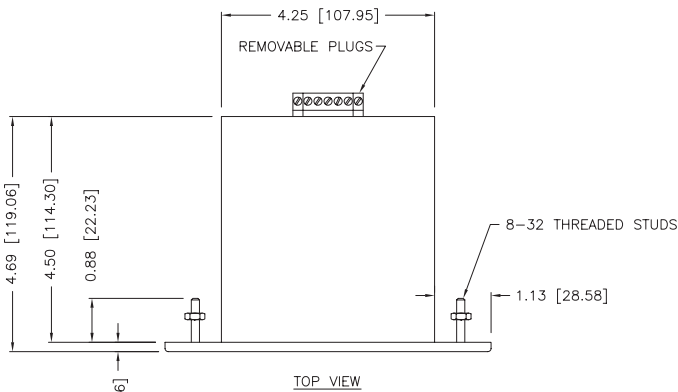
**OUTLINE DIMENSIONS
 MODEL KB-30
 ELECTRIC HORN**

DATE	DRAWN	CHECKED	DRWG. NO.	REV.
07/31/07	ZJN	EMK	3-6445	B

Conforming to International Maritime Regulations
 For Vessels Less Than 75 Meters in Length

3-6435

REV.	BY	DATE	DESCRIPTION	APP'D.
A	ZN	09/11/07	ADDED MICROPHONE, EXT. CORD & BRACKET	EMK



FRONT VIEW

REAR VIEW

P541-01 MICROPHONE

P564-04 MOUNTING BRACKET

P541-02 MICROPHONE
 EXTENSION CORD

KAHLENBERG		KAHLENBERG BROS. CO. TWO RIVERS, WISCONSIN 54241			
OUTLINE DIMENSIONS M-511D WHISTLE CONTROL (D.C. OPERATION)					
DR.	DATE	CKD.	SCALE	DRWG. NO.	REV.
ZJN	07/03/07	EMK	N.T.S.	3-6435	A