



SOUND SIGNALING EQUIPMENT

Accessories - Air Compressors

Model KA4000 Compressor System





The Kahlenberg KA4000 Marine Duty Compressed Air System is a quiet, oil-less, compressor solution incorporating Jun-Air compressors, specifically arranged for marine use.



Technical Details

Voltage: Any Common A.C. Voltage 50/60 Hz
Motors: 3.0 HP, 2.2 kW Combined
Max Current: 33.2A @120 Volts Combined
Displacement: 15.00 CFM, 424 l/min
FAD @ 8 bar: 7.76 CFM, 220 l/min
Max Pressure: 150 p.s.i., 10.31 bar
Weight: 308 lbs., 140 kg, Compressor and Tank
Noise Level: 74 dB(A)@ 1 meter
Thermal Protection: Yes
Duty Cycle: 100% Continuous
Vibration Isolated: Yes

Features and benefits of the KA4000 include:

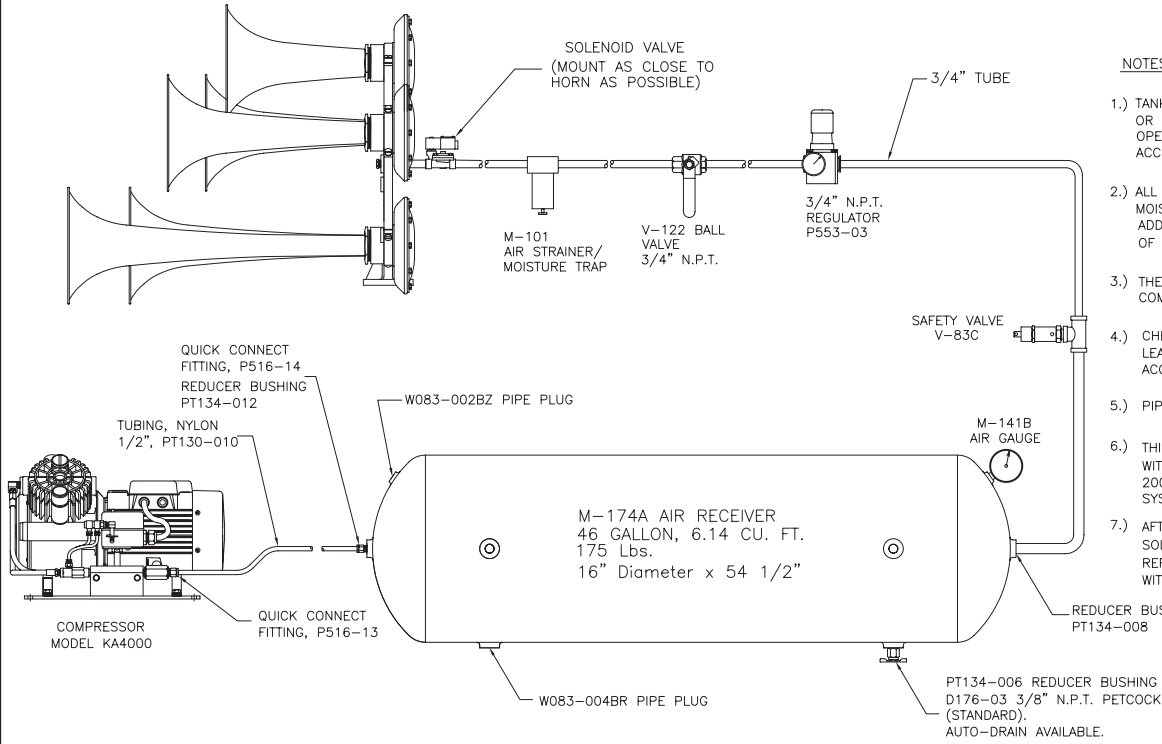
-  **Quiet Operation:** 74dB(A) @ 1 meter
-  **Oil-less, Continuous Duty Operation:**
(minimizes maintenance by eliminating oil in air lines)
-  **Regulated Output:** Included air regulator allows for controlled air consumption without reducing volume of air available in the system.
-  **Easy Installation:** Fittings, ASME air tank, and tubing are supplied, as are safety valve, air gauge, and ball valves. All fittings are instant connect. The only wiring required is connection of the compressor assembly to line voltage.

The KA4000 Compressor System provides output sufficient for Kahlenberg Air Horn Models Q-3A, F-3, and KDT-123.

Kahlenberg Industries, Inc.
1700 12th Street, P.O. Box 358
Two Rivers, WI 54241 U.S.A.
www.kahlenberg.com

3-6305

REV.	BY	DATE	DESCRIPTION	APP'D.
A	EMK	08/20/07	ADDED AIR RECEIVER DIMENSIONS	EMK



NOTES:

- 1.) TANK CAN BE INSTALLED IN HORIZONTAL OR VERTICAL POSITION. TANK INSPECTION (SIGHT) OPENINGS AND TANK NAMEPLATES SHOULD BE ACCESSIBLE AND FACE INBOARD.
- 2.) ALL PIPING SHOULD SLOPE TO AN ACCESSIBLE MOISTURE DRAIN POINT. IT IS RECOMMENDED THAT ADDITIONAL MOISTURE TRAPS BE PLACED AT THE BOTTOM OF ALL VERTICAL METAL PIPING RUNS.
- 3.) THE MAIN AIR LINE SHOULD NOT BE SMALLER THAN THE COMPRESSOR OUTLET SIZE.
- 4.) CHECK ALL PIPING AND FITTINGS REGULARLY TO AVOID LEAKS IN THE SYSTEM. FILTERS, REGULATORS AND OTHER ACCESSORIES SHOULD ALSO BE PROPERLY MAINTAINED.
- 5.) PIPING RUNS SHOWN ARE SCHEMATIC ONLY.
- 6.) THIS DRAWING IS INTENDED TO BE USED IN CONJUNCTION WITH THE JUN AIR INSTRUCTION MANUAL FOR MODEL 2000 SERIES COMPRESSORS (SHIPPED WITH COMPRESSOR SYSTEM).
- 7.) AFTER THE AIR RECEIVER, ALL PIPING, SOLENOID VALVE, AND AIRHORN ARE SHOWN FOR REFERENCE ONLY, AND ARE NOT SUPPLIED WITH THE KA4000 COMPRESSOR SYSTEM.

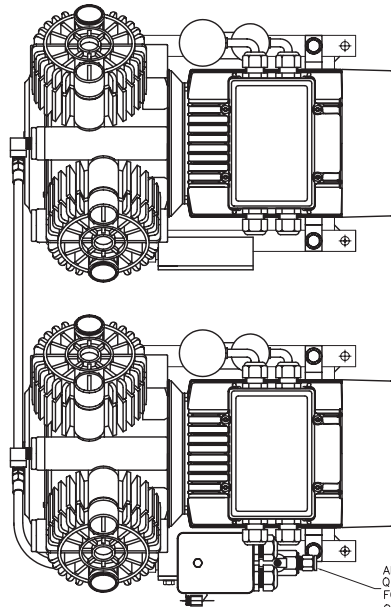
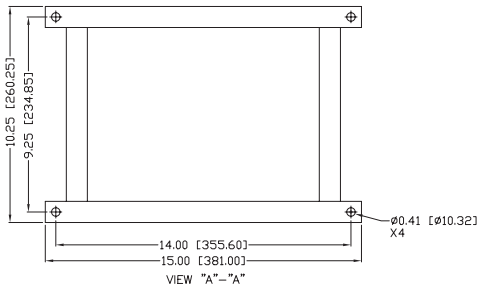
Kahlenberg
KAHLENBERG BROS. CO. TWO RIVERS, WI. U.S.A.

INSTALLATION DRAWING
MODEL KA4000
3.0 H.P. COMPRESSOR SYSTEM
SUGGESTED INSTALLATION

DR.	DATE	CKD.	SCALE	DRWG. NO.	REV.
ZJN	07/13/04	EMK	N.T.S.	3-6305	A

3-6303

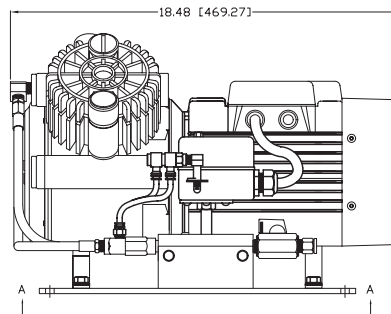
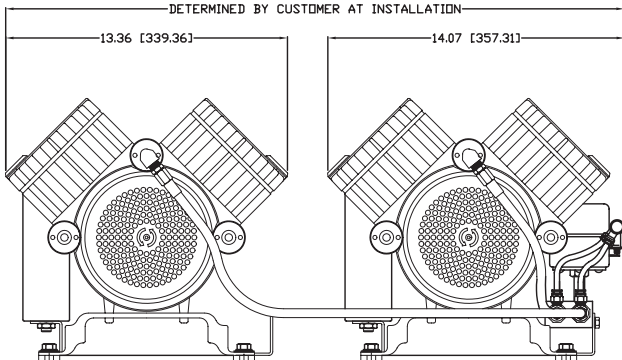
REV.	BY	DATE	DESCRIPTION	APP'D.



VOLTAGE: 110/120 V.A.C.
FREQUENCY: 50/60 Hz
MOTOR: 3.0 HP, 2.2KW
MAX. CURRENT: 33A
DISPLACEMENT: 15 CFM, 424 l/min
FAD @ 8 bar: 7.76 CFM, 220 l/min
MAX. PRESSURE: 150 p.s.i., 10.31 bar
WEIGHT: 150 lbs, 68 kg
NOISE LEVEL db(A)/lm: 74
THERMAL PROTECTION: YES
DUTY CYCLE: 100%
VIBRATION ISOLATED: YES
WIRE SIZE: 12 AWG WITHIN 25' 7.62M

NOTE: ALL POWER CONSUMPTION AND COMPRESSOR PERFORMANCE DATA NOTED ABOVE, ARE A MULTIPLE OF 2X THE DATA OF ONE COMPRESSOR PUMP.

AIR OUTLET:
QUICK CONNECT FITTING
FOR 1/2" O.D. TUBING
OR 3/8" N.P.T. THREAD.



Kahlenberg
KAHLENBERG BROS. CO. TWO RIVERS, WI. U.S.A.

OUTLINE DIMENSIONS
MODEL KA4000
1.5 H.P. X 2 OIL-LESS COMPRESSOR

DR.	DATE	CKD.	SCALE	DRWG. NO.	REV.
ZJN	07/12/04	EMK	N.T.S.	3-6303	