

### MODEL K-380 AIR HORN

THE KAHLENBERG K-380 MARINE AIR HORN IS DESIGNED FOR BOATS BETWEEN 25 AND 45 FEET IN LENGTH. AS WITH ALL KAHLENBERG AIR HORNS FOR PLEASURE CRAFT, THE K-380 HAS BEEN DEVELOPED TO MAXIMIZE AUDIBILITY, WHILE PRODUCING A RICHNESS OF TONE BASED ON MUSICAL INSTRUMENT DESIGN.



#### TECHNICAL DETAILS

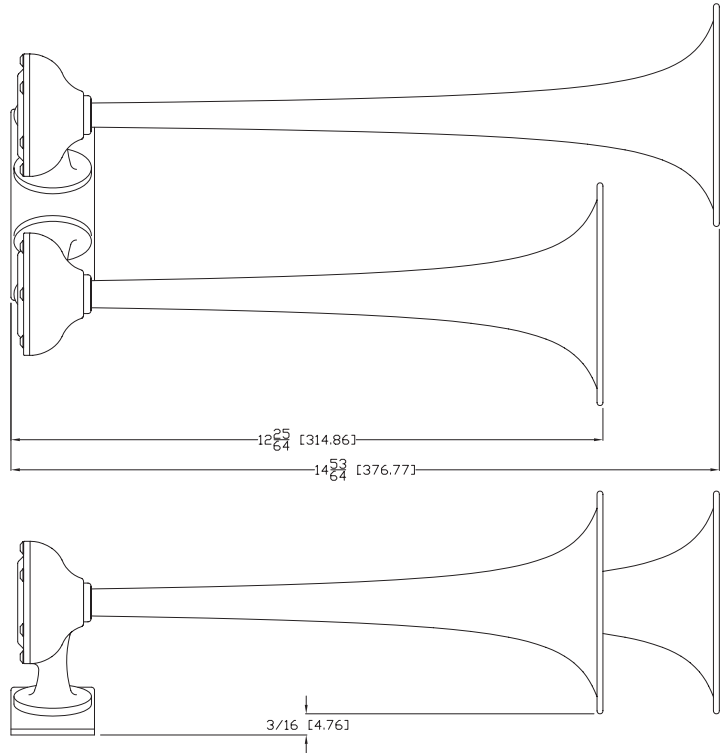
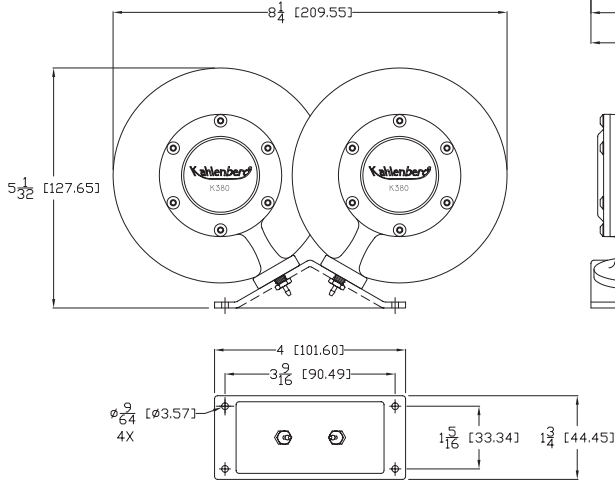
**Frequency:** 385 and 462 Hz  
**S.P.L. Output:** 123.5 dB (A) @ 1 Meter  
**Air Consumption:** 1.6 C.F.M.  
**Operating Pressure:** 15 to 150 p.s.i.  
**Electric Power:** 12 Volt D.C. (Compressor)  
**Material:** Spun Brass and Cast Brass  
**Net Weight:** 3.5 lbs.  
**Finish:** Kahlenberg Chrome Plate Finish  
**Certification:** ABS, NMMA Certified A-23

#### FEATURES AND BENEFITS OF THE K-380 AIR HORN INCLUDE:

- ✦ Output exceeds electric horns of similar size.
- ✦ Made entirely of brass with bronze diaphragm:  
(Function of the horn guaranteed for as long as you own it.)  
(Despite its small size, the horn operates on pressures up to 150 p.s.i. for maximum dB output)
- ✦ Extremely low air consumption:  
Allows for use of a very small compressor/tank kit or optional rotary compressor kit.
- ✦ Easy Installation: Compact Compressor Pump, Fittings, and tubing are supplied.

**KAHLENBERG INDUSTRIES, INC.**  
1700 12TH STREET, P.O. Box 358  
TWO RIVERS, WI 54241 U.S.A.  
[WWW.KAHLENBERG.COM](http://WWW.KAHLENBERG.COM)

REV.	BY	DATE	DESCRIPTION	APP'D.
A	ZN	02/15/08	ADDED TECHNICAL DETAILS	EMK



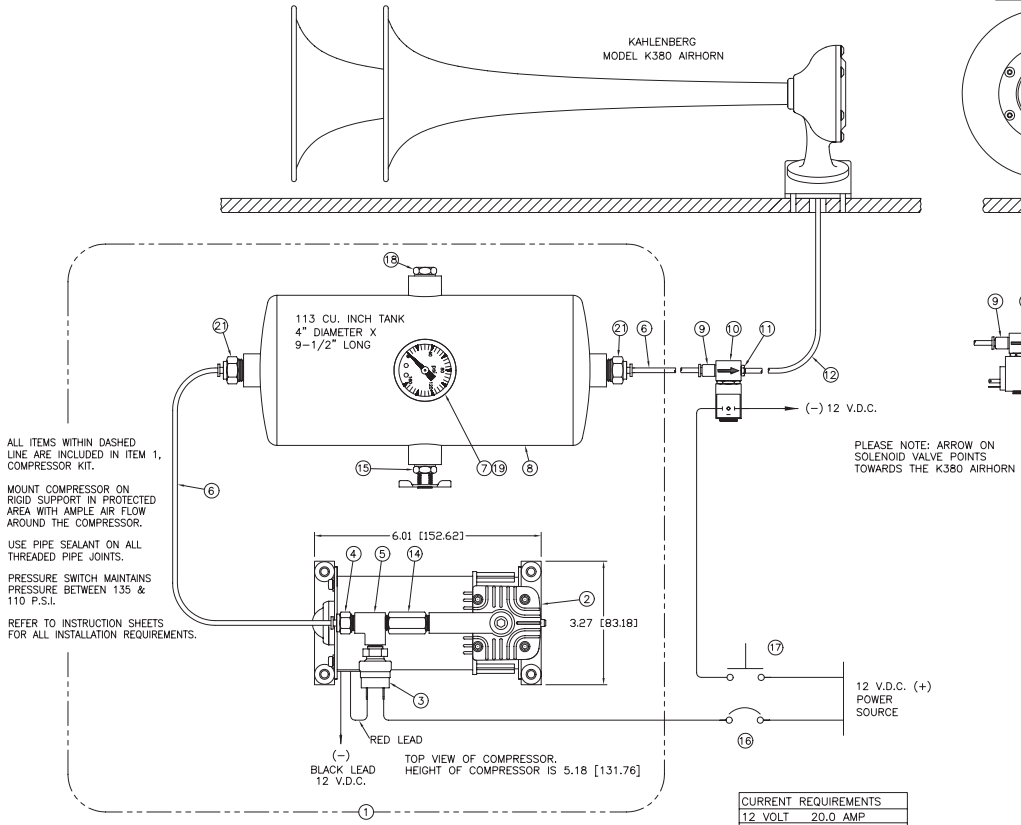
**TECHNICAL DETAILS**  
 Frequency: 385 & 462 Hz  
 S.P.L. Output: 123.5 dB (A) @ 1 meter  
 Air Consumption: 1.6 C.F.M.  
 Operating Pressure: 15 to 150 p.s.i.  
 Electrical Power: 12 Volt D.C. ( Air Compressor)  
 Material: Spun Brass and Cast Bronze  
 Net Weight: 3.5 lbs.  
 Shipping Weight: 6.0 lbs.  
 Finish: Kahlenberg Chrome Plate Finish  
 Certification: NMMA Certified A-23

**Kahlenberg**  
 KAHLENBERG BROS. CO. TWO RIVERS, WISCONSIN 54241

**OUTLINE DIMENSIONS  
 K-380 AIRHORN**

DR.	DATE	CKD.	SCALE	DRWG. NO.	REV.
ZJN	10/23/06	EMK	N.T.S.	3-6419	A

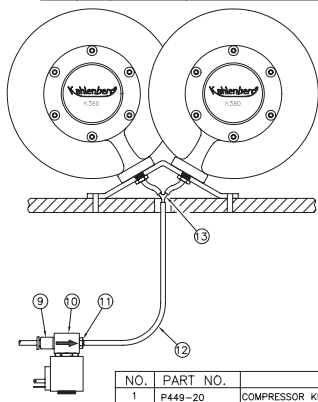
REV.	BY	DATE	DESCRIPTION	APP'D.
A	ZJN	08/03/07	ADDED ITEMS 18, 19, 20 & 21 CHANGED QUANTITY OF ITEM 4 FROM 3 PCS TO 1	EMK
B	ZJN	09/11/07	PLACED CHECK VALVE (ITEM 14) BEFORE PRESSURE SWITCH & TEE (ITEMS 3 & 5)	EMK



ALL ITEMS WITHIN DASHED LINE ARE INCLUDED IN ITEM 1, COMPRESSOR KIT.  
 MOUNT COMPRESSOR ON RIGID SUPPORT IN PROTECTED AREA WITH AMPLE AIR FLOW AROUND THE COMPRESSOR.  
 USE PIPE SEALANT ON ALL THREADED PIPE JOINTS.  
 PRESSURE SWITCH MAINTAINS PRESSURE BETWEEN 135 & 110 P.S.I.  
 REFER TO INSTRUCTION SHEETS FOR ALL INSTALLATION REQUIREMENTS.

PLEASE NOTE: ARROW ON SOLENOID VALVE POINTS TOWARDS THE K380 AIRHORN

<b>CURRENT REQUIREMENTS</b>	
12 VOLT	20.0 AMP
<b>C.F.M. OUTPUT @ 0 P.S.I.</b>	
12 VOLT	1.38 C.F.M.



NO.	PART NO.	DESCRIPTION	QTY.
1	P449-20	COMPRESSOR KIT, 12 V.D.C.	1
2	P449-19	COMPRESSOR UNIT ONLY, 12 V.D.C.	1
3	PT148-002	PRESSURE SWITCH	1
4	P516-19	CONNECTOR, MALE, 1/8" N.P.T. X 1/8" O.D. TUBE	1
5	P538-01	TEE FITTING, 1/8" N.P.T. MFF	1
6	PT130-012	TUBING, NYLON, BLACK, 1/8" O.D.	15'
7	M-140	PRESSURE GAUGE	1
8	P521-07	AIR RECEIVER	1
9	P516-18	CONNECTOR, MALE, 10-32 X 1/8" O.D. TUBE	1
10	V-170	SOLENOID VALVE, 10-32, 12 V.D.C.	1
11	P516-20	CONNECTOR, 10-32 X 1/16" I.D. TUBE, BARBED	1
12	PT130-11	TUBING, PVC, CLEAR, 1/16" I.D.	3'
13	P516-21	CONNECTOR, "Y", 1/16" I.D. TUBE, BARBED	1
14	V-62	CHECK VALVE, 1/8" N.P.T.	1
15	D176-2	PETCOCK VALVE, 1/4" N.P.T.	1
16		CUSTOMER SUPPLIED BREAKER	1
17	M-126	MOMENTARY PUSH BUTTON SWITCH, S.P.S.T.	1
18	P127-02	PIPE PLUG, HEX HEAD, 1/4" N.P.T.	1
19	PT134-004	BUSHING, REDUCER, 1/4" TO 1/8" N.P.T.	1
20	W078-036SS	WASHER, FENDER, 1/4" (FOR MOUNTING TANK, NOT ILLUSTRATED)	2
21	P516-22	CONNECTOR, MALE, 1/4" N.P.T. X 1/8" O.D. TUBE	2

**Kahlenberg**  
 KAHLENBERG BROS. CO. TWO RIVERS, WI. U.S.A.

**INSTALLATION (SUGGESTED)  
 & PARTS LIST FOR  
 K380 AIRHORN SYSTEM**

DR.	DATE	CKD.	SCALE	DRWG. NO.	REV.
ZJN	08/16/06	EMK	N.T.S.	3-6406	B