

## Directional, Dual Tone Industrial Air Horn

\*EFFECTIVE OUTDOOR COVERAGE OF UP TO 3.5 KILOMETERS



- Dual tone, 370 Hz / 622 Hz fundamental frequency, engineered with off chords to grasp attention in order to enhance warning effectiveness
- Ideal for noisy industrial areas
- Energy efficient with hermetically sealed diaphragm assembly
- Will operate on a wide range of pressures without requiring tuning or field adjustment for years of trouble-free service
- Constructed of high strength cast aluminum with stainless steel fasteners

\* Signal will produce a sound pressure level of approximately 70 dB @ 4 km in calm, cool conditions without topographical interference. Signal strength at distance can vary dramatically depending on environmental and geographical conditions. Please consult factory for more detailed information.

<b>Operating Medium:</b>	Air, nitrogen, CO <sub>2</sub> , 1/2" NPT inlet
<b>Control:</b>	Manual, solenoid or combination valve
<b>SPL (Loudness) on Total:</b>	141 ± 1 dBA @ 1 meter
<b>Air Consumption:</b>	22.6 L/Sec [48 SCFM] @ 7 bar [100 PSIG]
<b>Audibility:</b>	3.5 km on still air
<b>Fundamental Frequency:</b>	370 Hz / 620 Hz ± 20 Hz
<b>Tone (Musical Note):</b>	D <sub>5</sub> sharp / F <sub>4</sub> sharp
<b>Operating Pressure:</b>	3 – 10 bar [45 – 150 PSI]
<b>Operating Temperature:</b>	-40°C to +85°C [-40°F to +185°F]
<b>Finish:</b>	Painted red
<b>Degree of Protection:</b>	IP 54
<b>Basic Dimension:</b>	311x337x178mm [12.25x13.25x7"]
<b>Net Weight:</b>	5.25 kg [11.5 lbs]

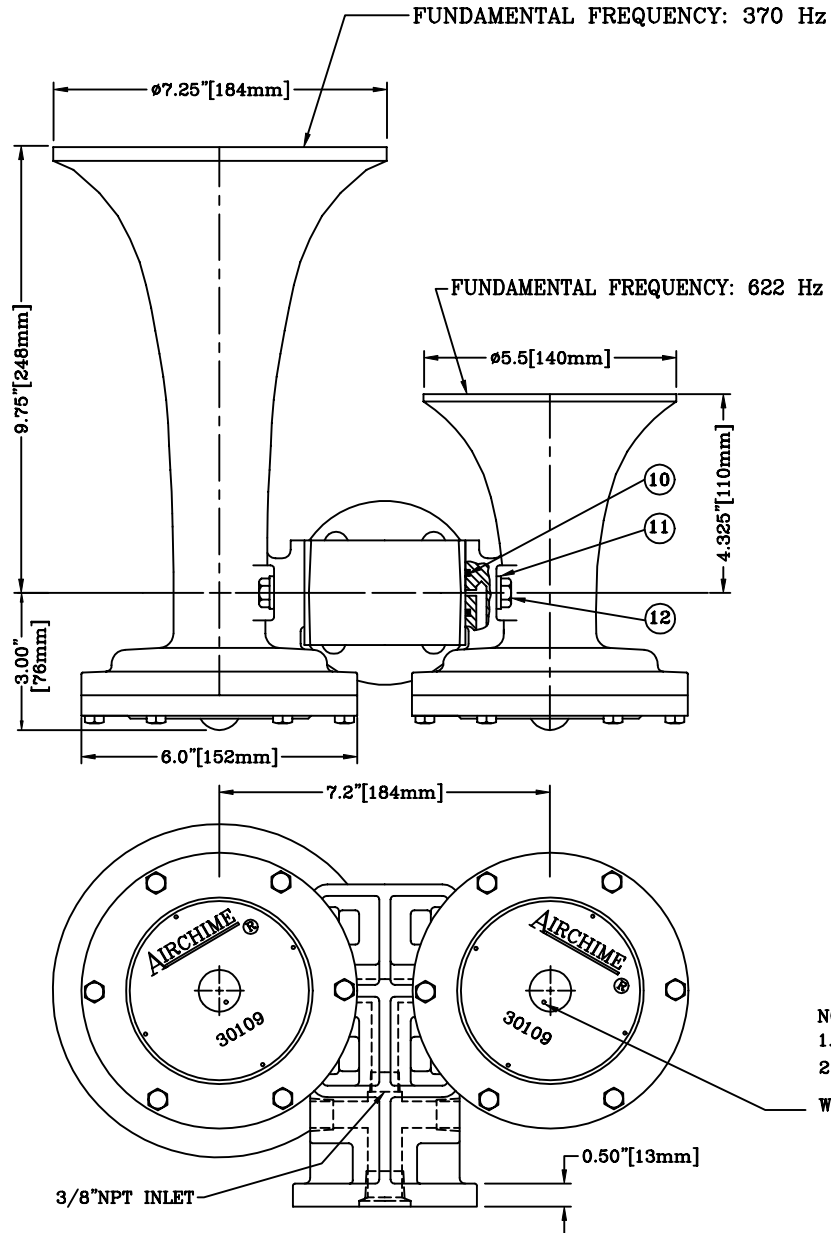
**Kahlenberg Industries, Inc.**

1700 12th Street, P.O. Box 358  
Two Rivers, Wisconsin, 54241

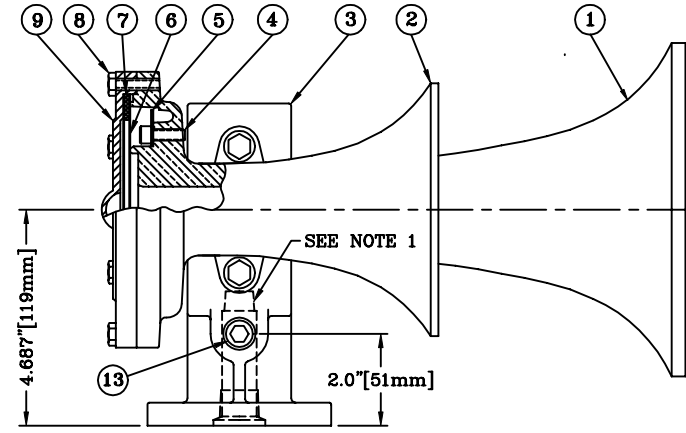
Phone: (920) 793-4507 / Fax: (920) 793-1346

**Website:** [www.kahlenberg.com](http://www.kahlenberg.com)    **Email:** [info@kahlenberg.com](mailto:info@kahlenberg.com)

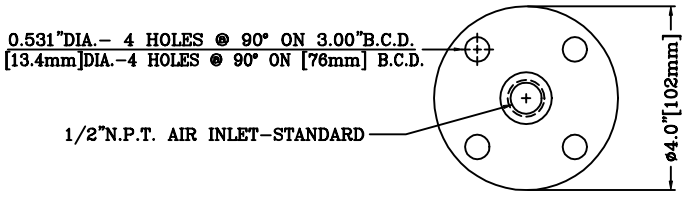
REVISIONS			
REV	DESCRIPTION	DATE (YR-MO-DA)	APPROVED




REF	PART	DESCRIPTION	MATERIAL	SPECIFICATION	QTY
1	30102	BELL BODY No. 2	DIE CAST ALUMINUM	ASTM-B26-65	1
2	30105	BELL BODY No. 5	DIE CAST ALUMINUM	ASTM-B26-65	1
3	30124	TWO TONE BASE	CAST ALUMINUM	UNS A03562	1
4	30144	SOCKET HEAD CAP SCREW	STAINLESS STEEL	ASTM F837-91	6
5	30143	DIFFUSER	STAINLESS STEEL	UNS-S30400	2
6	30111	DIAPHRAGM DISC	STAINLESS STEEL	UNS-S30100	4
7	30112	CUSHION RING	SILICONE RUBBER	ASTM D2000	2
8	30110	HEX HEAD CAP SCREW	STAINLESS STEEL	ASTM F593C	12
9	30109	DIAPHRAGM CAP	DIE CAST ALUMINUM	ASTM-B26-65	2
10	30211	O RING	BUNA N	MIL STD 417 SB	2
11	30122	LOCKWASHER	STAINLESS STEEL	ASA B27.1	4
12	30119	HEX HEAD CAP SCREW	STAINLESS STEEL	ASTM F593C	4
13	20914	PIPE PLUG 3/8" N.P.T.	ALLOY STEEL	ASA B21	2



NOTE:  
 1. TAPPED INLET HOLE FOR RESTRICTOR IF LOUDNESS MUST BE REDUCED (CONSULT FACTORY).  
 2. ANY BELL CAN BE REVERSED BY REMOVING SCREWS (REF.12) AND REASSEMBLING BELL IN OPPOSITE DIRECTION.  
 WHEN ROTATING BELLS - ROTATE CAP (REF.9) SO THAT RELIEF HOLES IS DOWN.



<b>CONFIDENTIAL</b> INFORMATION CONTAINED HEREIN IS CONFIDENTIAL. IT IS THE PROPERTY OF AIRCHIME MFG. CO. LTD., IT IS TO BE USED SOLELY FOR THE PURPOSE PROVIDED, AND IT IS NOT TO BE DISCLOSED TO OTHERS WITHOUT THE PRIOR WRITTEN CONSENT OF AIRCHIME MANUFACTURING COMPANY LIMITED. © Copyright Airchime Mfg. Co. Ltd.	CONTRACT NUMBER		 <b>AIRCHIME MANUFACTURING CO. LTD.</b> LANGLEY, B.C. CANADA V4W 3S8	
	CONTRACTOR			
	DRAWN BY: <i>L.H.F.</i>	DATE (YR-MO-DA) 97-04-07	<b>MODEL K-25</b> <b>TWO BELL WHISTLE</b>	
	CHECKER: <i>R.C.</i>	ENGINEER <i>R.C.S.</i>	SIZE A	NSCM 36575
TYPE OF DRAWING: <b>ASSEMBLY</b>		SCALE: NONE	UNIT WT: 11.2 LBS	SHEET: 1 OF 1