

### Model F-3 Yacht Horn

Kahlenberg Chimetone Air Horns all utilize more than one projector or “trumpet” in their design. These projectors each produce a different fundamental frequency which combine to produce powerful, distinctive, musical chords. To hear a Chimetone Air Horn is to realize that the sound of a vessel can be one of its most impressive aspects. The Model F-3 Air Horn is designed for the most discriminating yachtsman. It is made entirely of bronze and brass, and is triple plated for a deep chrome finish.



#### TECHNICAL DATA

Fundamental Frequency: 283, 247, 208, 174, and 142 Hz

S.P.L. : (1/3 Octave @ 1 Meter): 136 dB

Air Consumption:

84C.F.M. @ 100 p.s.i., 39.6 l/s @ 7 bar

Air Pressure Required:

100 to 250 p.s.i., 7 to 17 bar  
(Higher pressures with optional regulators)

Electrical Power Required:

Any standard A.C. or D.C. Voltage

Material: Cast Bronze and Spun Brass

Net Weight: 114 lbs., 52 kg.

Finish:

White Powdercoat or Chrome Plate

Dimensions:

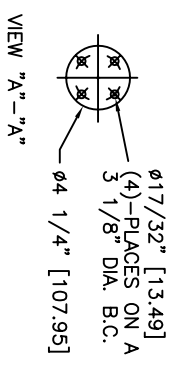
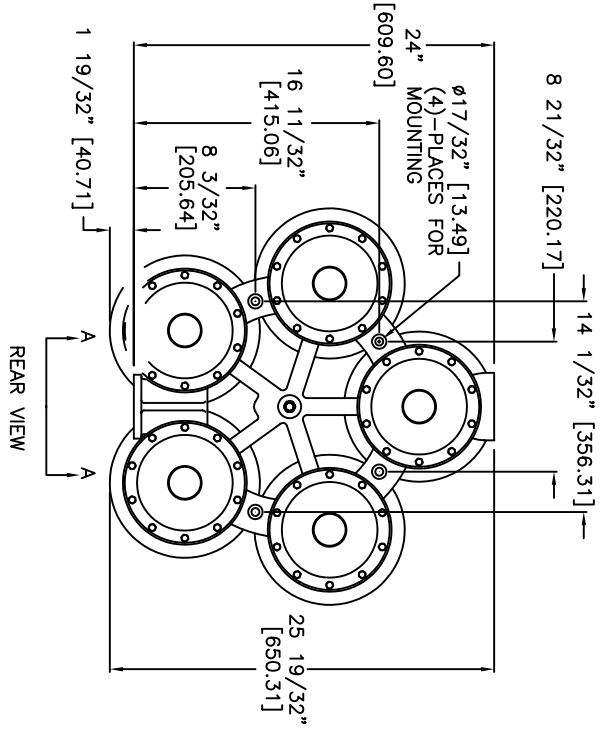
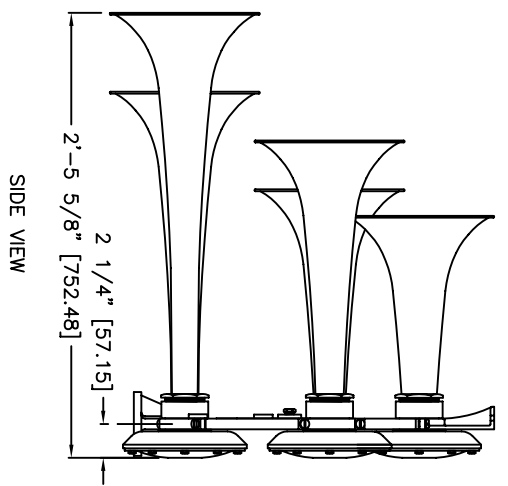
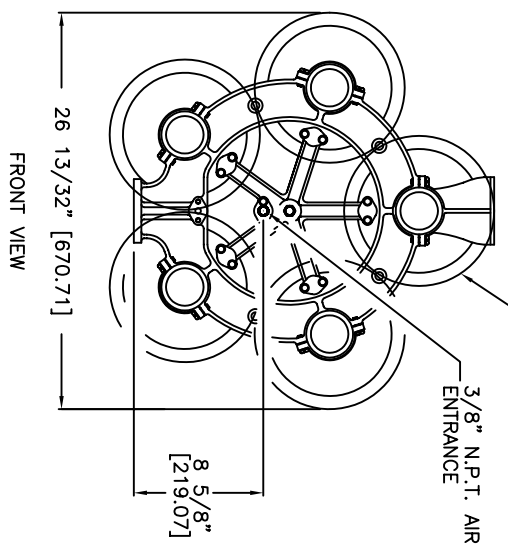
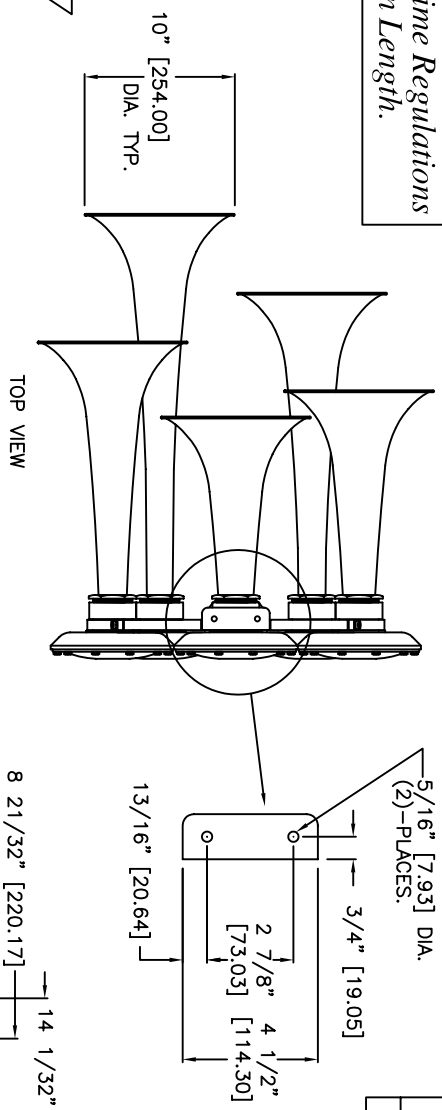
30" x 26.5" x 25.75" (762x673x654)  
(dimensions without optional light)

- **FOR VESSELS LESS THAN 75 METERS IN LENGTH**
- **MEETS OR EXCEEDS IMO REQUIREMENTS**
- **LOW AIR CONSUMPTION, OPERATES ON A WIDE RANGE OF AIR PRESSURE**
- **HIGHLY RELIABLE, VIRTUALLY NO MAINTENANCE**
- **OPTIONAL DIRECTLY MANIFOLDED MANUAL/SOLENOID VALVES, AIR STRAINER AND MANEUVERING LIGHT**

Conforming to International Maritime Regulations  
For Vessels Less Than 75 Meters in Length.

REV.	BY	DATE	DESCRIPTION	APP'D.
A	ZJN	2/29/08	Weight Change	EMK

PROJECTORS IN THIS VIEW ARE DEPICTED WITH PHANTOM LINES.



**TECHNICAL DATA**  
 Frequency: 142, 174, 208, 247, & 283 Hz  
 Sound Pressure Level (dB(A) at 1 meter): 142 dB  
 Sound Pressure Level (1/3 octave at 1 meter): 136 dB  
 Air Consumption: appx. 126.6 C.F.M. @ 150 P.S.I.  
 Air Pressure Req: 100 To 250 P.S.I.  
 Electric Power: Any Standard A.C. or D.C. voltage  
 Material: Spun Brass & Cast Bronze  
 Net Weight: 114 lbs.  
 Shipping Weight: 225 lbs.

U.S.D. Net. Ea.  
 Price: \$ \_\_\_\_\_  
 (Valid for 60 days, F.O.B. Two Rivers, WI, U.S.A.)

**Kahlenberg's**

KALENBERG BROS. CO. TWO RIVERS, WI. U.S.A.

**OUTLINE DIMENSIONS**  
**MODEL F-3, FIG. 513**  
**ARKHORN**

DATE	DRWG. NO.	REV.
04/30/01	3-5185	A