

### Model D-2 Air Horn

Designed for use on vessels up to 75 Meters in length, the Kahlenberg Model D-2 Air Horn is an extremely durable unit built for a lifetime of trouble-free service. The unique dual tone sound of the D-2 Air Horn has made it a favorite of commercial vessel operators around the world. This horn is also available as Model D-2CVL including manual/electric combination valve, air strainer, and whistle light installed..



#### TECHNICAL DATA

Fundamental Frequency: 266 and 212 Hz  
S.P.L. : (1/3 Octave @ 1 Meter): 132 dB

Air Consumption:

29 C.F.M. @ 100 p.s.i., 8 l/s @ 7 bar

Air Pressure Required:

100 to 250 p.s.i., 7 to 17 bar  
(Higher pressures with optional regulators)

Electrical Power Required:

Any standard A.C. or D.C. Voltage

Material: Cast Bronze and Spun Brass

Net Weight: 33 lbs., 15 kg.,  
D-2CVL: 44 lbs., 20 kg.

Finish:

None, White Powdercoat or Chrome Plate

Dimensions:

20.5" x 15.5" x 8.5" (524x394x217)

- **FOR VESSELS LESS THAN 75 METERS IN LENGTH**
- **MEETS OR EXCEEDS IMO REQUIREMENTS**
- **LOW AIR CONSUMPTION, OPERATES ON A WIDE RANGE OF AIR PRESSURE**
- **HIGHLY RELIABLE, VIRTUALLY NO MAINTENANCE**
- **OPTIONAL DIRECTLY MANIFOLDED MANUAL/SOLENOID VALVES, AIR STRAINER AND MANEUVERING LIGHT**

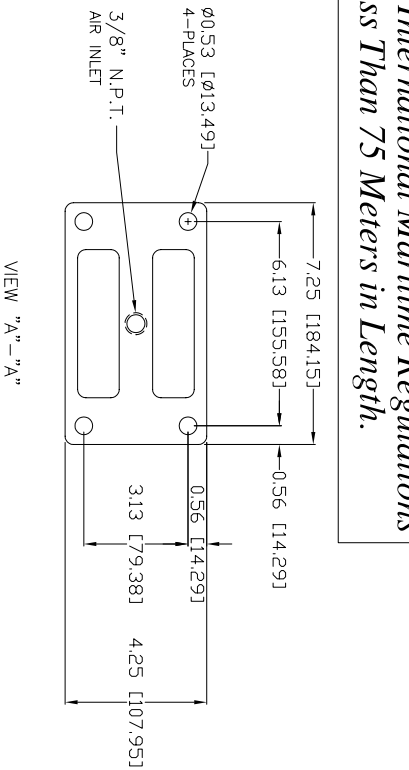
**Kahlenberg Brothers Company**

1700 12th Street, P.O. Box 358  
Two Rivers, Wisconsin, 54241

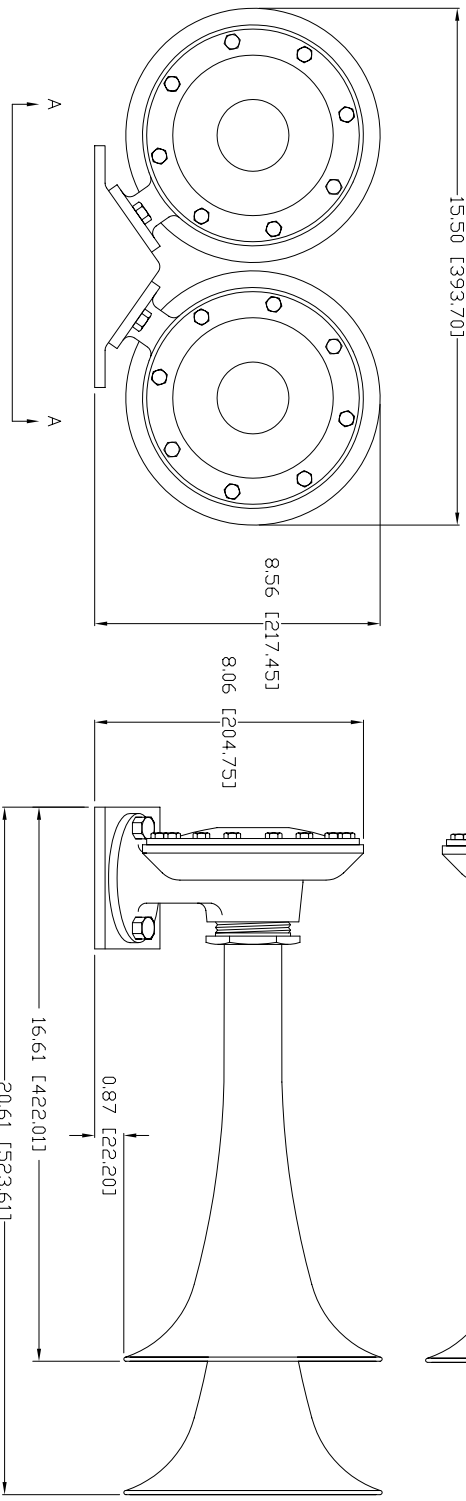
Phone: (920) 793-4507 / Fax: (920) 793-1346

**Website:** [www.kahlenberg.com](http://www.kahlenberg.com) **Email:** [info@kahlenberg.com](mailto:info@kahlenberg.com)

*Conforming to International Maritime Regulations  
For Vessels Less Than 75 Meters in Length.*



VIEW "A"- "A"



**TECHNICAL DATA**  
 Frequency: 266 Hz & 212 Hz  
 Sound Pressure Level (1/3 octave at 1 meter): 132dB  
 Sound Pressure Level (dB(A) at 1 meter): 139dB  
 Air Consumption: appx. 44 CFM @ 150 P.S.I.  
 Air Pressure Req: 100 To 250 P.S.I.  
 Electric Power: N/A  
 Material: Spun Brass & Cast Bronze  
 Net Weight: 33.00 Lbs.  
 Shipping Weight: 40 Lbs.

Price: \$ \_\_\_\_\_ U.S.D. Net. Ea.  
 (Valid for 60 days, F.O.B. Two Rivers, WI. U.S.A.)

**REVISIONS**

REV.	BY	DATE	DESCRIPTION	APP'D.
A	ZUN	10/16/08	S.P.L. 1/3 OCTAVE BAND WAS 139dB S.P.L. db(A) WAS 132dB	EMK

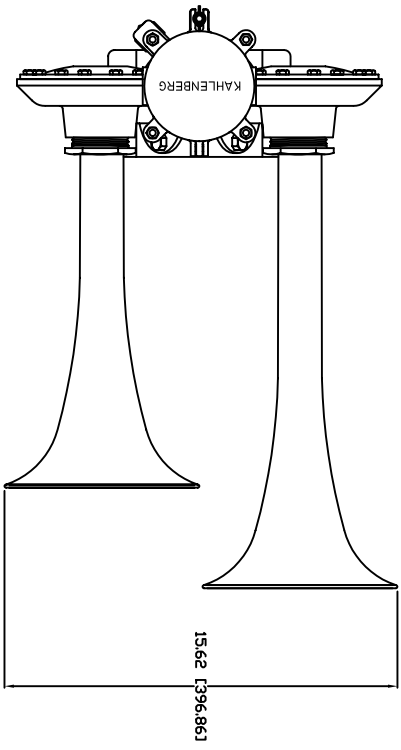
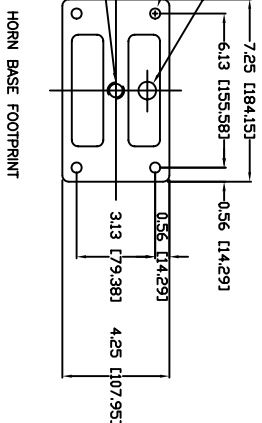


KAHLENBERG BROS. CO. TWO RIVERS, WI. U.S.A.

**MODEL D-2  
AIRHORN**

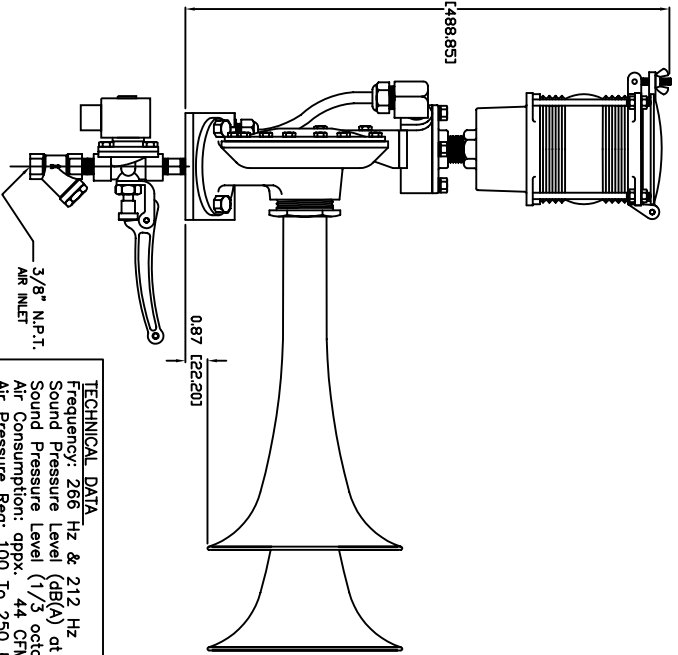
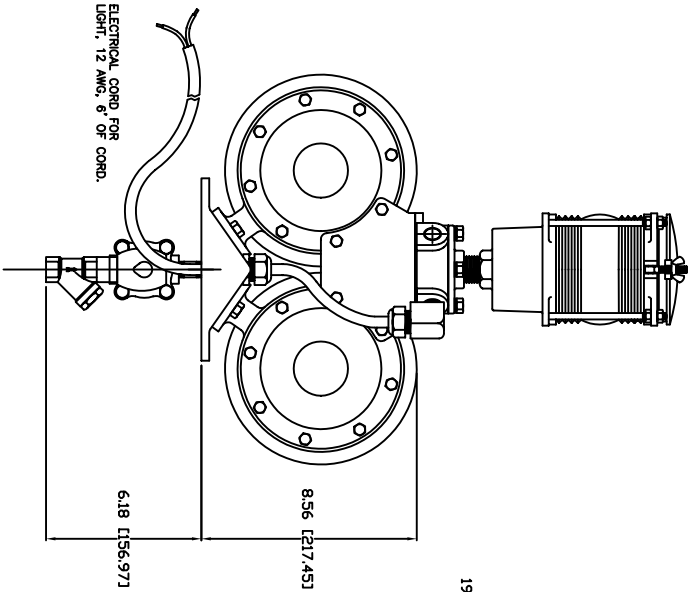
DATE	DRWG. NO.	REV.
04/12/01	3-6089	A

Conforming to International Maritime Regulations  
For Vessels Less Than 75 Meters in Length



CURRENT REQUIREMENTS FOR SOLENOID VALVE

VOLTAGE	AMPS
220 V.A.C.	0.05
24 V.D.C.	0.50



**TECHNICAL DATA**  
 Frequency: 266 Hz & 212 Hz  
 Sound Pressure Level (dB(A) at 1 meter): 138dB  
 Sound Pressure Level (1/3 octave at 1 meter): 132dB  
 Air Pressure: approx. 44 CFM @ 150 P.S.I.  
 Air Consumption: approx. 100 To 250 P.S.I.  
 Air Pressure Req: 100 To 250 P.S.I.  
 Electric Power: 24 V.D.C. & 220 V.A.C.  
 Material: Spun Brass & Cast Bronze  
 Net Weight: 44.00 Lbs.  
 Shipping Weight: 51.00 Lbs.

Price: \$ \_\_\_\_\_ U.S.D. Net. Ea.  
 (Valid for 60 days, F.O.B. Two Rivers, WI, U.S.A.)

**Kahlenberg**  
 KAHLENBERG BROS. CO. TWO RIVERS, WI. U.S.A.  
 OUTLINE DIMENSIONS  
 MODEL D-2 CVL AIRHORN

DATE	DRWG. NO.	REV.
05/04/01	3-6095	A EMK