

Model D-1 Yacht Horn

Kahlenberg Chimetone Air Horns all utilize more than one projector or “trumpet” in their design. These projectors each produce a different fundamental frequency which combine to produce powerful, distinctive, musical chords. To hear a Chimetone Air Horn is to realize that the sound of a vessel can be one of its most impressive aspects. The Model D-1 Air Horn is designed for the most discriminating yachtsman. It is made entirely of bronze and brass, and is triple plated for a deep chrome finish.



TECHNICAL DATA

Fundamental Frequency: 252 and 322 Hz
S.P.L. : (1/3 Octave @ 1 Meter): 134 dB

Air Consumption:
26 C.F.M. @ 100 p.s.i., 8 l/s @ 7 bar

Air Pressure Required:
100 to 250 p.s.i., 7 to 17 bar
(Higher pressures with optional regulators)

Electrical Power Required:
Any standard A.C. or D.C. Voltage

Material: Cast Bronze and Spun Brass

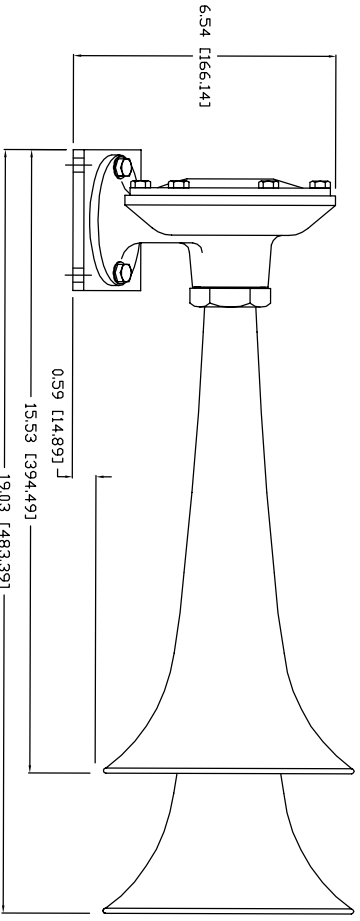
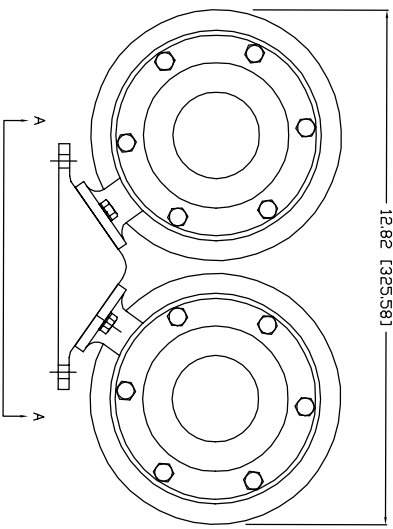
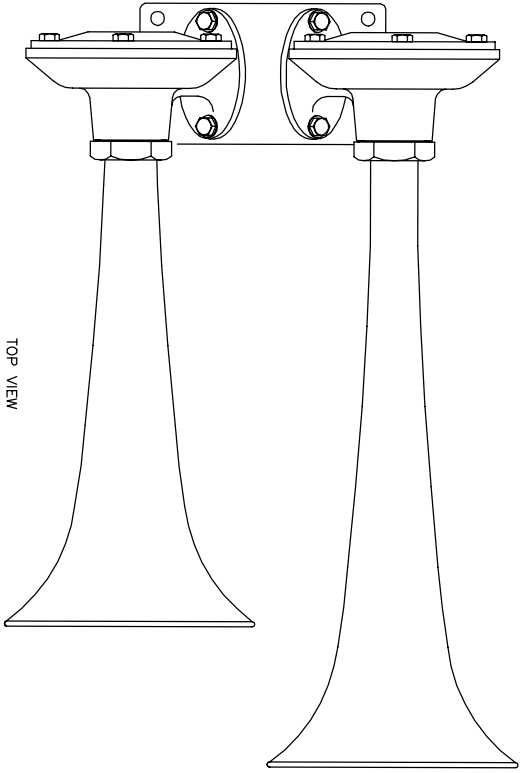
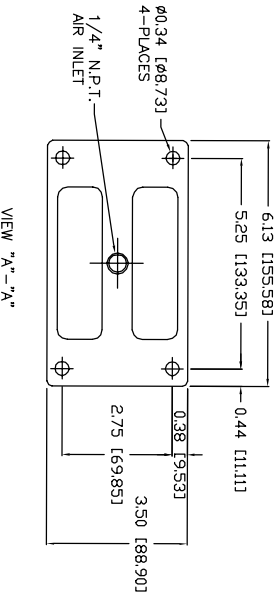
Net Weight: 17 lbs., 8 kg.,

Finish:
White Powdercoat or Chrome Plate

Dimensions:
19" x 13" x 6.5" (482x330x165)

- **FOR VESSELS LESS THAN 75 METERS IN LENGTH**
- **MEETS OR EXCEEDS IMO REQUIREMENTS**
- **LOW AIR CONSUMPTION, OPERATES ON A WIDE RANGE OF AIR PRESSURE**
- **HIGHLY RELIABLE, VIRTUALLY NO MAINTENANCE**
- **OPTIONAL DIRECTLY MANIFOLDED MANUAL/SOLENOID VALVES, AIR STRAINER**

Conforming to International Maritime Regulations
For Vessels Less Than 75 & Meters in Length



TECHNICAL DATA:
 Frequency: 322 Hz & 252 Hz
 Sound Pressure Level (dB(A) at 1 meter): 138dB
 Sound Pressure Level (1/3 octave at 1 meter): 134dB
 Air Consumption: approx. 26.4 CFM @ 100 psi.
 Air Pressure Req: 100 To 250 P.S.I.
 Electric Power: N/A
 Material: Spun Brass & Cast Bronze
 Net Weight: 17.00 Lbs
 Shipping Weight: 33.00 Lbs.

Price: \$ U.S.D. Net. Ea.
 (Valid for 60 days, F.O.B. Two Rivers, WI. U.S.A.)

Kahlenberg's
 KAHLBERG BROS. CO. TWO RIVERS, WI. U.S.A.

OUTLINE DIMENSIONS
 MODEL D-1 AIRHORN

DATE	DRWG. NO.	REV.
05/22/01	3-6133	A EMK