

Marine and Industrial Alarm System

*EFFECTIVE OUTDOOR COVERAGE OF UP TO 1 KILOMETER

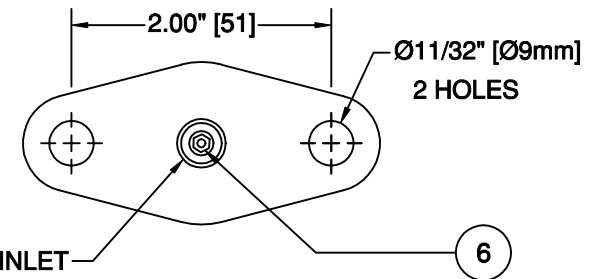
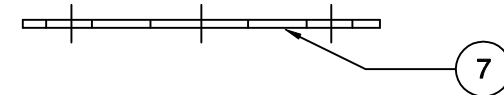
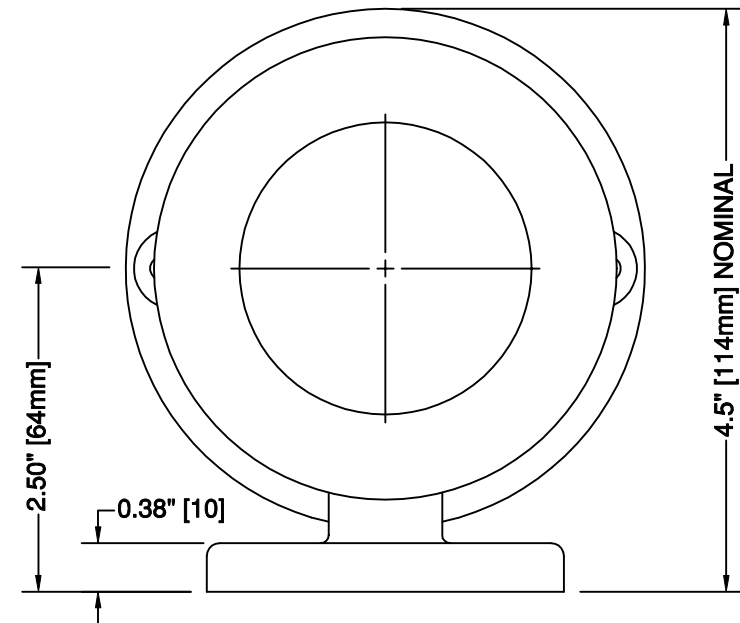
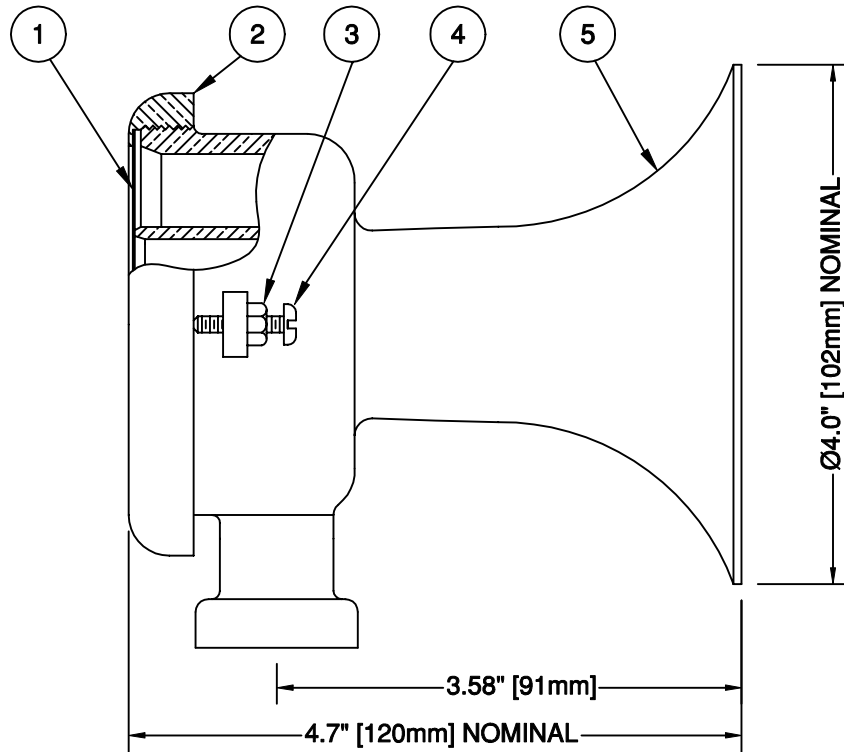


- This high quality, resilient air horn is perfect for engine room, fire alarm and general industrial signaling applications
- Ideal for use in hazardous and corrosive environments
- Efficient design with low air consumption
- Fine tuning capability with adjustable ring
- Available in single, dual and omni-directional design
- Also available as a kit with solenoid and/or manual valve and mounting bracket
- Horn construction: Durable, solid cast bronze bell with stainless steel diaphragm disc

* Signal will produce a sound pressure level of approximately 70 dB @ 1 km in calm, cool conditions without topographical interference. Signal strength at distance can vary dramatically depending on environmental and geographical conditions. Please consult factory for more detailed information.

Control:	Manual, solenoid or combination valve
SPL (Loudness) on Total: Operating Medium: Air Consumption:	132 ± 1 dBA @ 1 meter Air, nitrogen, CO ₂ , 3/8" NPT inlet 7 L/sec [14 SCFM] on 7 bar [100 psi]
Audibility: Fundamental Frequency: Tone (Musical Note):	1 km on still air 745 Hz ± 20 Hz F ₅ sharp
Operating Pressure: Operating Temperature:	3 – 10 bars [50 – 150 PSI] -20°C to +80°C [-4°F to +176°F]
Finish: Degree of Protection:	Powder coated red IP 54
Basic Dimension: Net Weight:	120x102X114mm 3.2 kg [7 lbs]

REVISIONS				
ZONE	REV	DESCRIPTION	DATE	APPROVED
	1	SUPERCEDES DWG. No. 3100	94-10-24	D. W. C.




Horn Fundamental Frequency: 745 Hz \pm 4%
 Sound Pressure Level (Loudness) measured at 1 meter:
 132 \pm 1dB(A) & (C) on All Pass (Total)
 while blowing with 100 PSIG (6.9 Bars) pressure at the base,
 with Air Consumption of 14 SCFM (7 L/Sec).
 Effective Audibility Range: 70 dB at approximately 1 km
 in calm, cool conditions, unobstructed path.
 Operating Pressure Range: 45-145 PSIG (3-10 Bars)
 Operating Temperature Range: -4°F (-20°C) to 175°F (80°C)
 Ingress of Protection: IP 54

ALL DIMENSIONS SHOWN ARE FOR REFERENCE ONLY, UNLESS OTHERWISE SPECIFIED
 FINISH: RED ENAMEL PAINT

SEE DWG NO: 31111 FOR AIR HORN CONTROLS
 SEE DWG NO: 31800 FOR TYPICAL MODEL "CA" INSTALATION

REF	PART	DESCRIPTION	MATERIAL	SPECIFICATION	QTY
1	31003	DIAPHRAGM DISC 0.018" THICK	STAINLESS STEEL	ASTM-A167	1
2	31002	ADJUSTING RING	BRONZE	SAE-40	1
3	31005	LOCKNUT 10-32	BRASS	ASTM F594	2
4	31004	MACHINE SCREW, 10-32x1"	BRASS	ASA B18.6	2
5	31001	BELL BODY	BRONZE	SAE-40	1
6	31006	RESTRICTOR, 3/32"	BRASS	ASTM-B16	1
7	31013	GASKET	CORK/NEOPRENE	COMMERCIAL	1

CONFIDENTIAL INFORMATION CONTAINED HEREIN IS CONFIDENTIAL; IT IS THE PROPERTY OF AIRCHIME MFG. CO. LTD. IT IS TO BE USED SOLELY FOR THE PURPOSE PROVIDED AND IT IS NOT TO BE DISCLOSED TO OTHERS WITHOUT THE PRIOR WRITTEN CONSENT OF AIRCHIME MANUFACTURING COMPANY LIMITED.	CONTRACT NUMBER:		 AIRCHIME MANUFACTURING CO. LTD. LANGLEY, B.C. CANADA V4W 3S8	
	CUSTOMER:			
	DRAWN BY: <i>L. H. J.</i>	DATE: 1994-10-24	MODEL CA SINGLE TONE AIR HORN, 745 Hz	
	CHECKED BY: <i>D. W. C.</i>	APPROVED BY: <i>D. E. S.</i>	SCALE: NONE	WEIGHT: 2.9 lbs (1.3 kg)

© CopyRight Airchime Mfg. Co. Ltd.

31000 DRAWING TYPE: **ASSEMBLY** SHEET: 1 OF 1