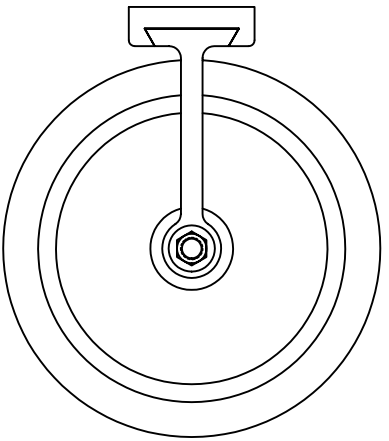
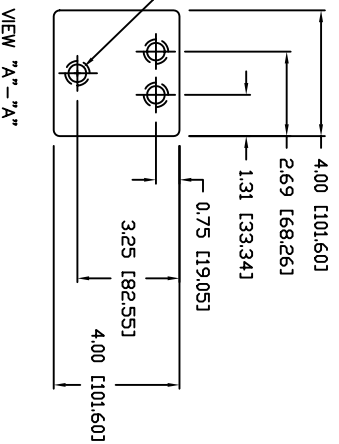


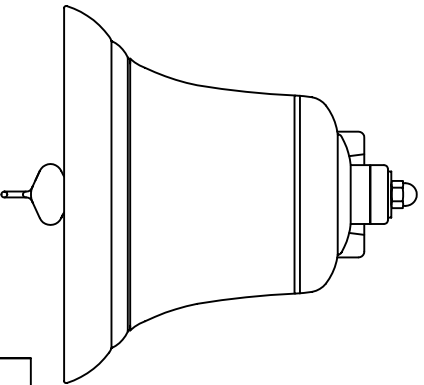
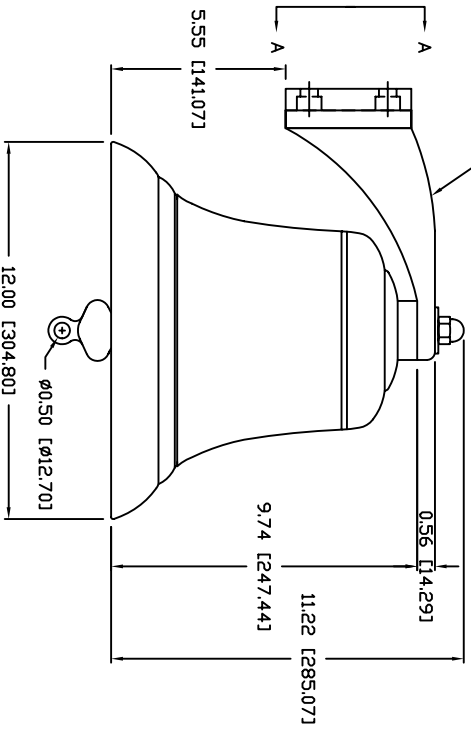
*Conforming to International Maritime Regulations
For Vessels Over 20 Meters in Length.*



Ø9/16" [14.29]
(3)-PLACES FOR
MOUNTING BOLTS.
BOLTS ARE HELD
CAPTIVE INSIDE OF
THE MOUNTING
BRACKET.



OPTIONAL BRACKET
P499-2



BELL IS FURNISHED WITH
NUTS AND WASHERS TO
MATCH. OPTIONAL BRACKET
IS ALSO AVAILABLE AS PART
#P499-2

TECHNICAL DATA

Material: Cast Bronze
Net Weight: BELL ONLY - 53 Lbs.
Shipping Weight: BELL ONLY - 68 Lbs.

Price: \$ _____ U.S.D. Net. Ea.
(Valid for 60 days, F.O.B. Two Rivers, WI, U.S.A.)

KAHLENBERG BROS. CO.

TWO RIVERS, WI. U.S.A.



**OUTLINE DIMENSIONS
12" CLASSIC BELL
WITH BULKHEAD BRACKET**

DATE	DRWG. NO.	REV.
01/21/04	3-6265	