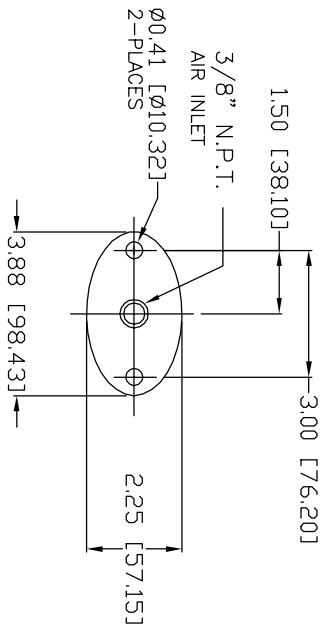
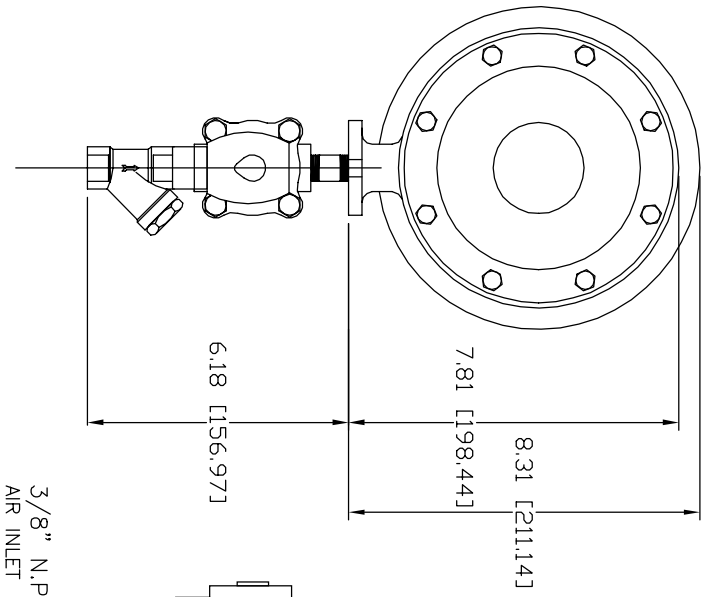
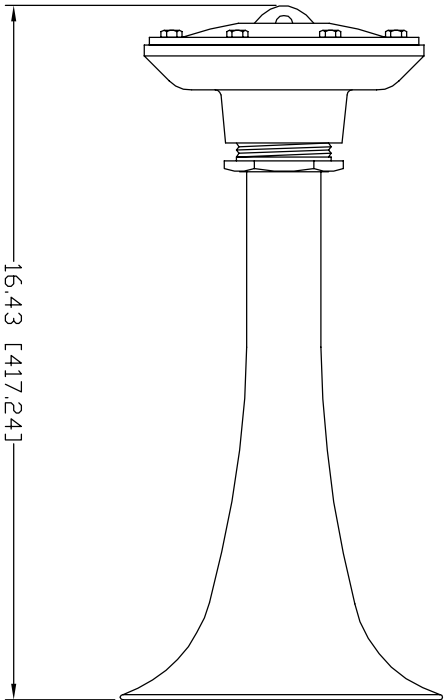


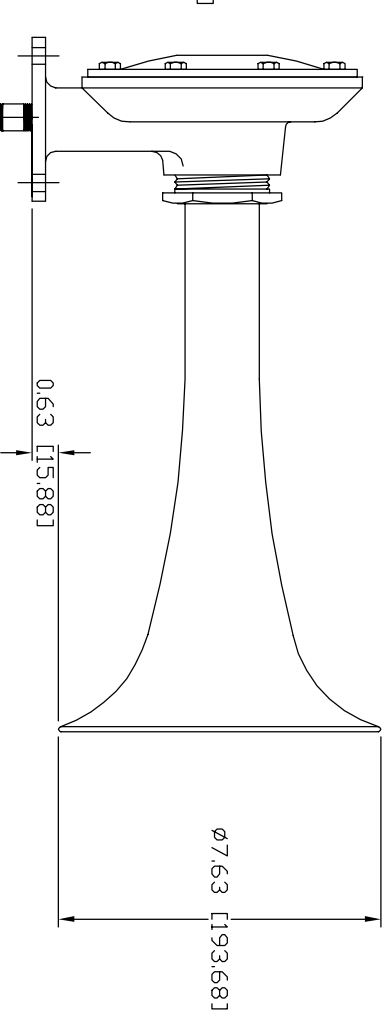
Conforming to International Maritime Regulations
For Vessels Less Than 75 Meters in Length



HORN BASE FOOTPRINT



3/8" N.P.T.
AIR INLET



TECHNICAL DATA

Frequency: 266 Hz
Sound Pressure Level (dB(A) at 1 meter): 136.5dB
Sound Pressure Level (1/3 octave at 1 meter): 132dB
Air Consumption: appx. 21 CFM @ 150 P.S.I.
Air Pressure Req: 100 To 250 P.S.I.
Electric Power: N/A
Material: Spun Brass & Cast Bronze
Net Weight: 14.00 Lbs.
Shipping Weight: 18.00 Lbs.

Price: \$ U.S.D. Net. Ea.
(Valid for 60 days, F.O.B. Two Rivers, WI, U.S.A.)



KAHLENBERG BROS. CO. TWO RIVERS, WI. U.S.A.

OUTLINE DIMENSIONS
MODEL S-2 CV AIRHORN

DATE	DRWG. NO.	REV.
04/12/01	3-6094	B EMK