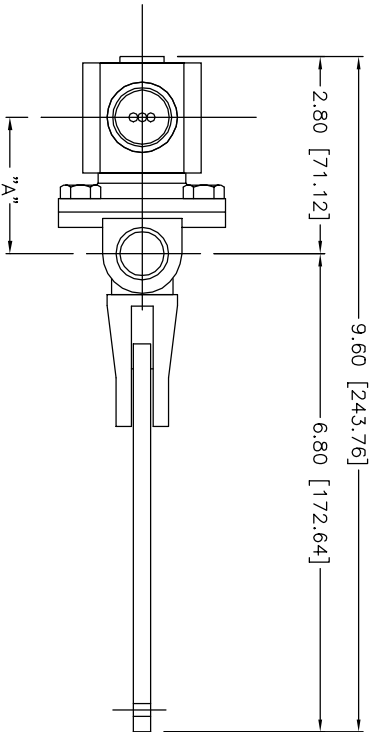


3-5952

REV.	BY	DATE	DESCRIPTION	APP'D.
A	ZIN	5/01	ADDED DETAILS	EMK

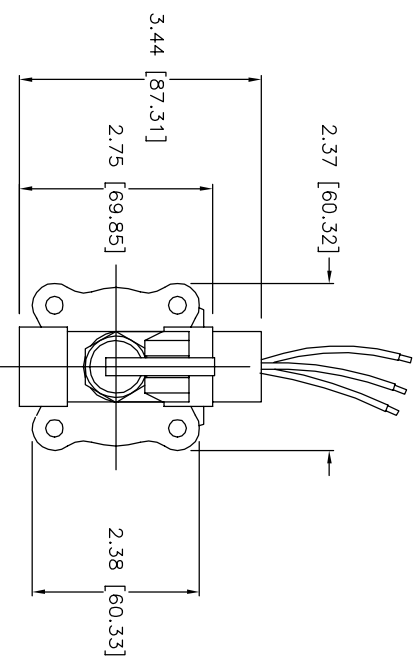
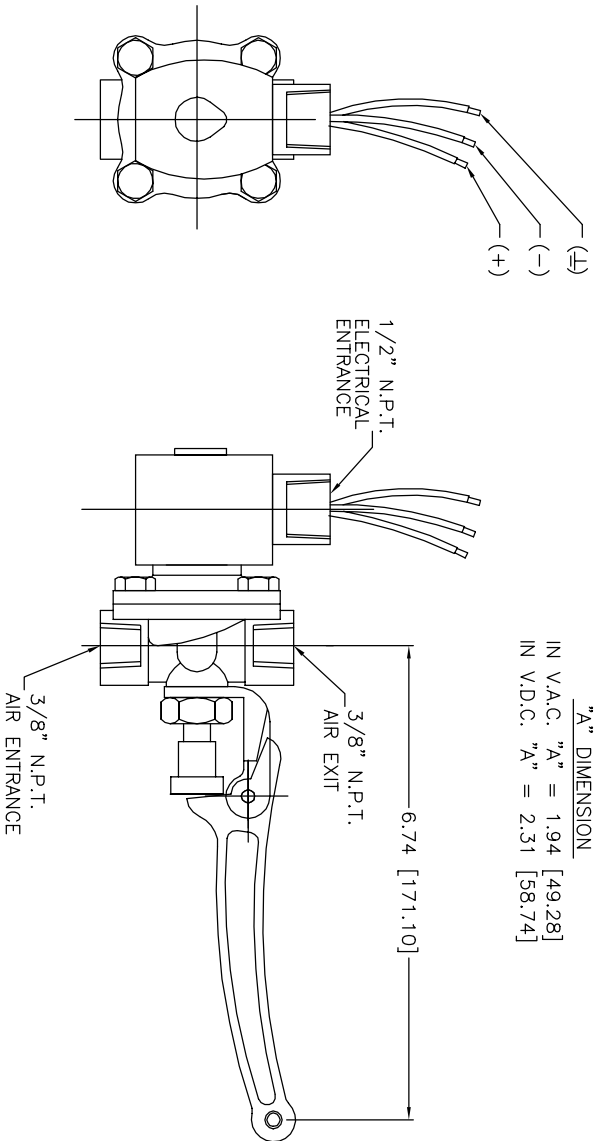


"A" DIMENSION  
 IN V.A.C. "A" = 1.94 [49.28]  
 IN V.D.C. "A" = 2.31 [58.74]

VOLTAGE	AMPS
220 V.A.C.	0.05
24 V.D.C.	0.50

CURRENT REQUIREMENTS  
 FOR SOLENOID VALVE

MATERIAL: CAST BRONZE LEVER & YOKE,  
 CAST BRASS VALVE BODY



P.L. 3-5953

**Kahlenberg's**  
 TWO RIVERS, W.V. U.S.A.

KAHLBERG BROS. CO.

OUTLINE DIMENSIONS  
 V-150AL MANUAL/SOLENOID VALVE  
 VA/35952/(VOLL)/NF

DR.	DATE	CKD.	SCALE	DRAWG. NO.	REV.
ZIN	05/18/01	EMK	N.T.S.	3-5952	A