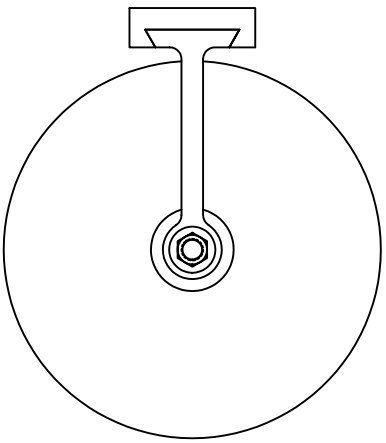
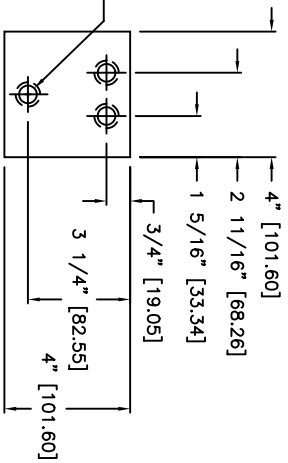


*Conforming to International Maritime Regulations  
For Vessels Over 20 Meters in Length.*

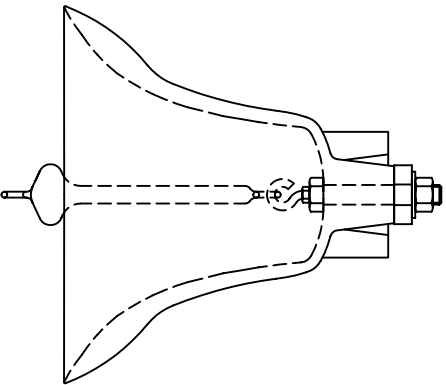
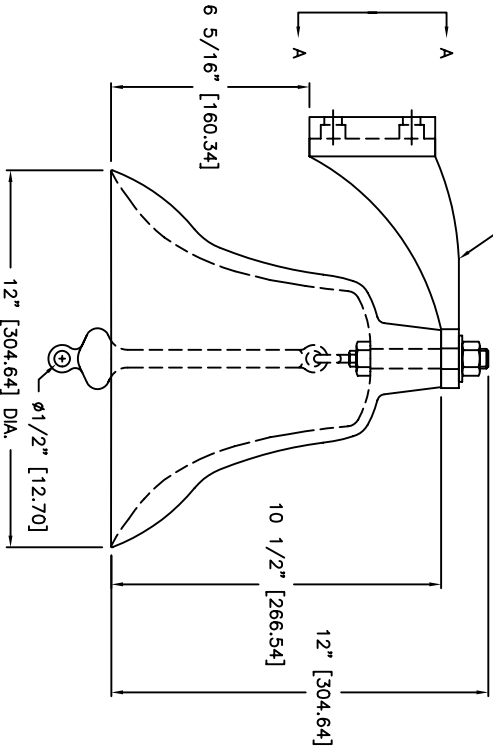


Ø9/16" [14.29]  
(3) - PLACES FOR  
MOUNTING BOLTS.  
BOLTS ARE HELD  
CAPTIVE INSIDE OF  
THE MOUNTING  
BRACKET.

VIEW "A"-"A"



OPTIONAL BRACKET  
P499-4



BELL IS FURNISHED WITH  
NUTS AND WASHERS TO  
MATCH. OPTIONAL BRACKET  
IS ALSO AVAILABLE AS PART  
#P499-4

TECHNICAL DATA

Material: Cast Bronze  
Net Weight: BELL ONLY - 40 Lbs.  
Shipping Weight: BELL ONLY - 65 Lbs.

Price: \$ \_\_\_\_\_ U.S.D. Net. Ea.  
(Valid for 60 days, F.O.B. Two Rivers, WI, U.S.A.)

KAHLENBERG BROS. CO.

TWO RIVERS, WI. U.S.A.



**12" DIA. SHIPS BELL  
& OPTIONAL MOUNTING BRACKET.  
BELL MODEL P499-4**

DATE	DRWG. NO.	REV.
06/18/96	3-5882	0 EMK