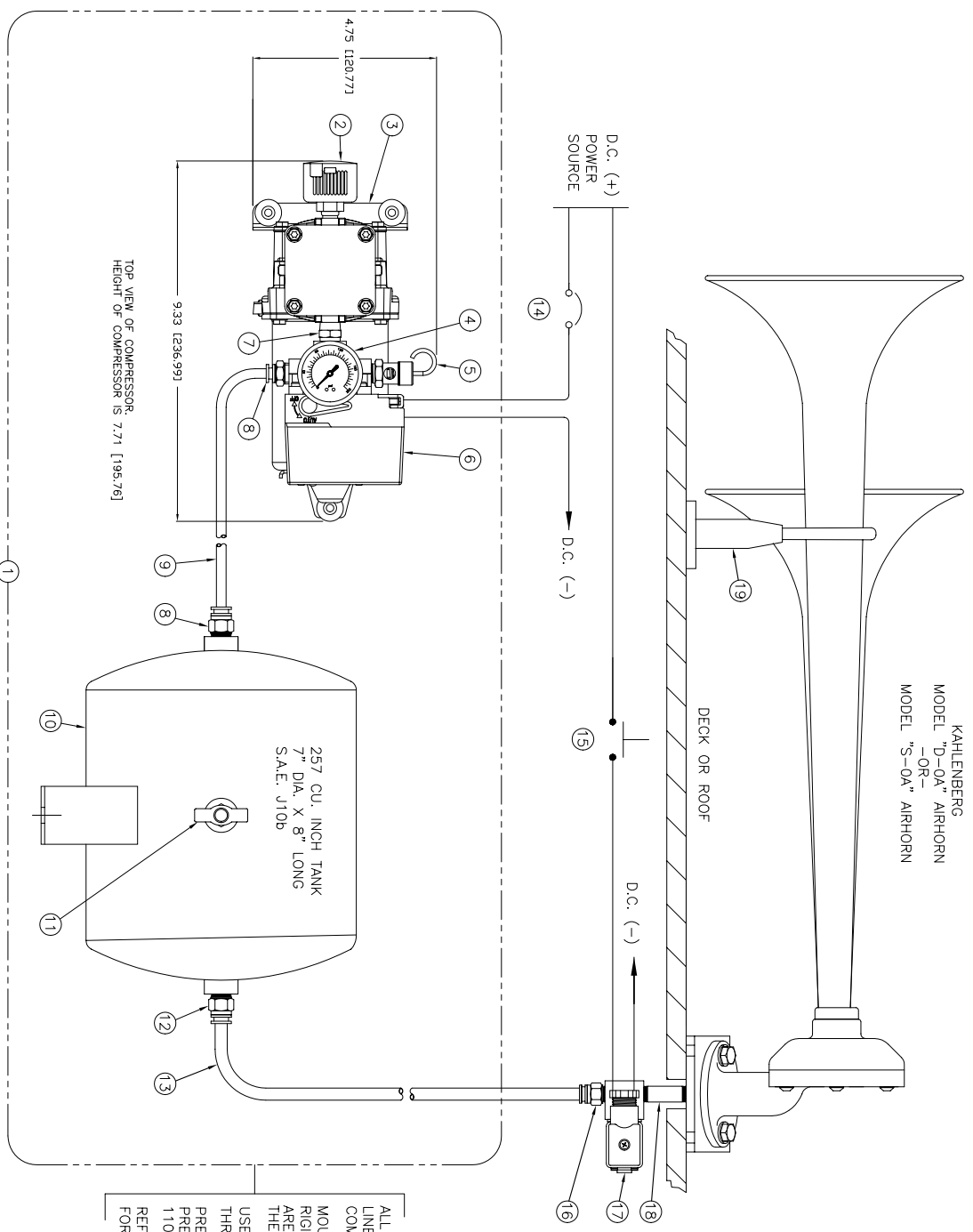


REV.	BY	DATE	DESCRIPTION	APP'D.
ZN		12/07/05	REVISED FOR P569-01 & P569-02	EMK



NO.	PART NO.	DESCRIPTION
1	P449-03 P449-04	COMPRESSOR KIT, 12 VDC COMPRESSOR KIT, 24 VDC
2	650850	FILTER
3	P449-07 P449-08	COMPRESSOR UNIT ONLY, 12 VDC COMPRESSOR UNIT ONLY, 24 VDC
4	M-143	PRESSURE GAUGE
5	V-79	165 PSI SAFETY VALVE, 1/4" NPT
6	PT148-004	PRESSURE SWITCH
7	P566-02	ADAPTER, 1/4" MALE NPT X 1/8" MALE NPT
8	P516-04	CONNECTOR, MALE 1/4" NPT X 1/4" O.D. TUBE
9	PT130-007	1/4" O.D. TUBE X 8", LONGER LENGTHS AVAILABLE
10	PS21-1A	AIR RECEIVER
11	D176-02	PETCOCK VALVE, 1/4" NPT
12	PS16-05	CONNECTOR, MALE 1/4" NPT X 5/16" O.D. TUBE
13	PT130-008	5/16" O.D. TUBE X 15", LONGER LENGTHS AVAILABLE
14	CUSTOMER SUPPLIED BREAKER	25 AMP FOR 12 VDC COMPRESSOR 15 AMP FOR 24 VDC COMPRESSOR
15	M-126	MOMENTARY PUSH BUTTON SWITCH, S.P.S.I.
16	PS16-03	CONNECTOR, MALE 1/8" NPT X 5/16" O.D. TUBE
17	V-69K	SOLENOID VALVE, 12 OR 24V DC, 1/8" NPT
18	PI29-08	PIPE NIPPLE 1/8" NPT X 1 1/2"
19	PS19-01	PROJECTOR SUPPORT ASSEMBLY

** SUGGESTED FOR HIGH SHOCK CONDITIONS ONLY

ALL ITEMS WITHIN DASHED LINE ARE INCLUDED IN ITEM 1, COMPRESSOR KIT.

MOUNT COMPRESSOR ON RIGID SUPPORT IN PROTECTED AREA WITH AIR FLOW AROUND THE COMPRESSOR.

USE PIPE SEALANT ON ALL THREADED PIPE JOINTS. PRESSURE SWITCH MAINTAINS PRESSURE BETWEEN 135 & 110 P.S.I.

REFER TO INSTRUCTION SHEETS FOR ALL INSTALLATION REQUIREMENTS.

CURRENT REQUIREMENTS
12 VOLT 19.6 AMP
24 VOLT 9.8 AMP
C.F.M. OUTPUT @ 100 P.S.I.
12 VOLT 0.64 C.F.M.
24 VOLT 0.62 C.F.M.

NOTE:
ITEMS 2 THRU 8 MAKE UP
COMPRESSOR PUMP ASSEMBLIES
P569-01 12 VDC OR P569-02 24 VDC.

KAHLENBERG BROS. CO. TWO RIVERS, WI. U.S.A.

INSTALLATION (SUGGESTED)
& PARTS LIST FOR
"D-0A" & "S-0A" AIRHORN SYSTEM

DR.	DATE	CKD.	SCALE	DRWG. NO.	REV.
ZUN	01/15/02	ZUN	N.T.S.	3-5801	D