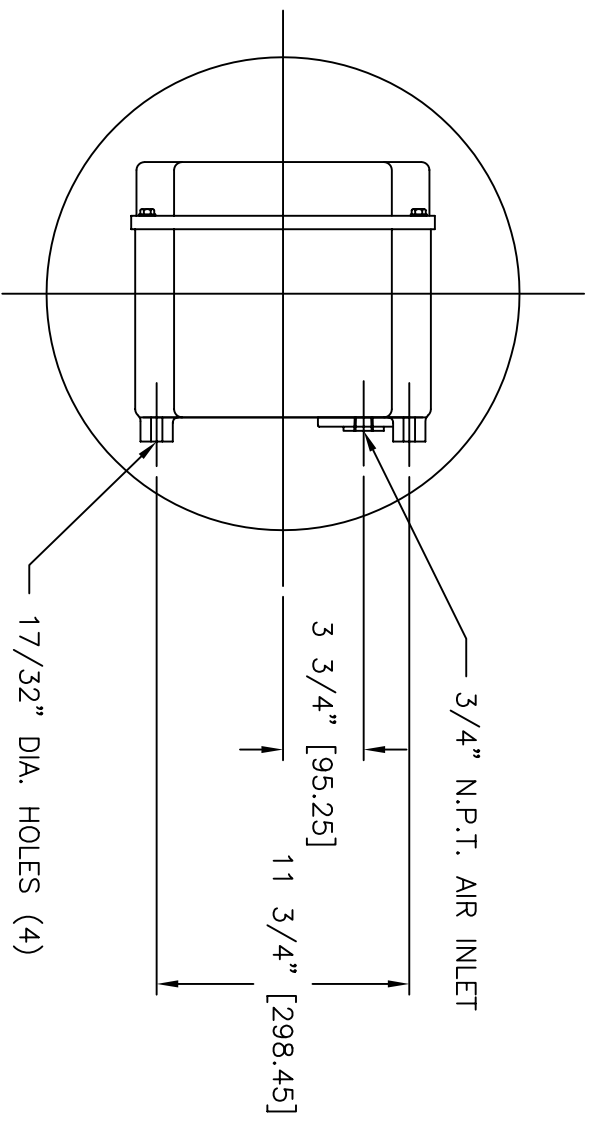
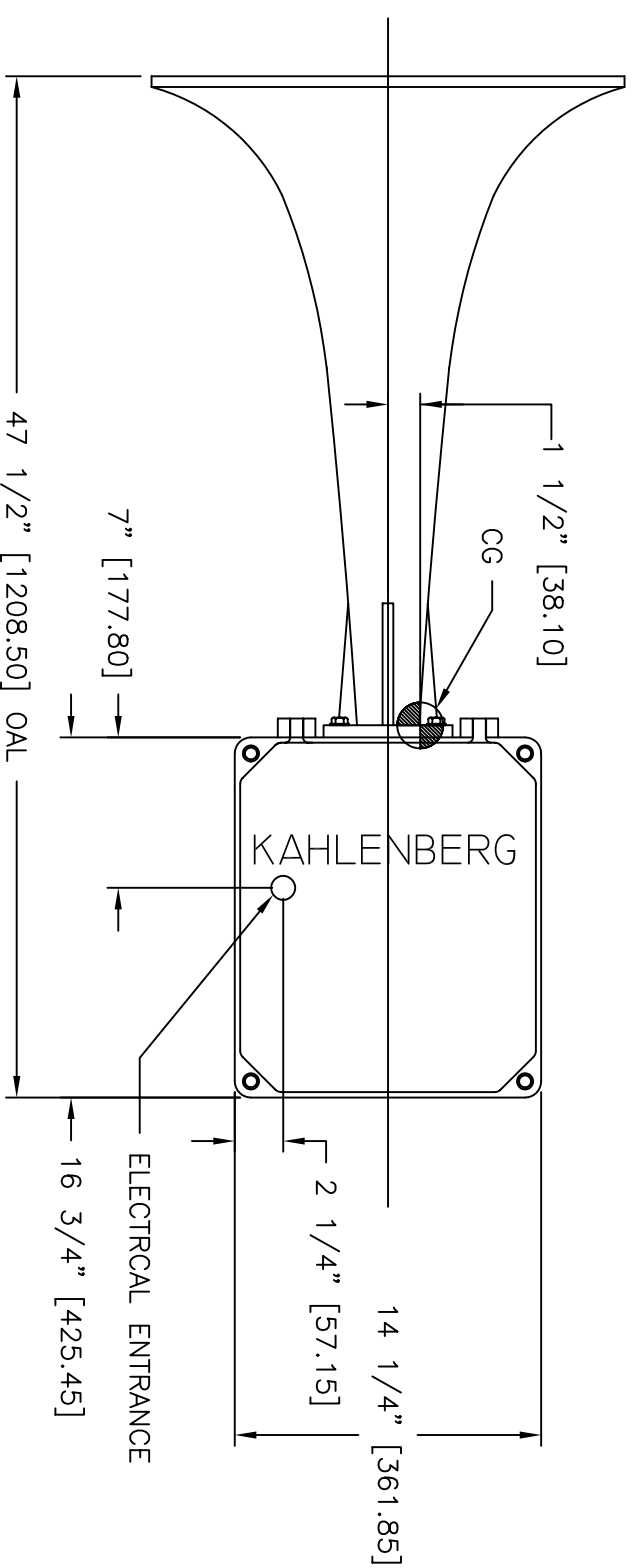
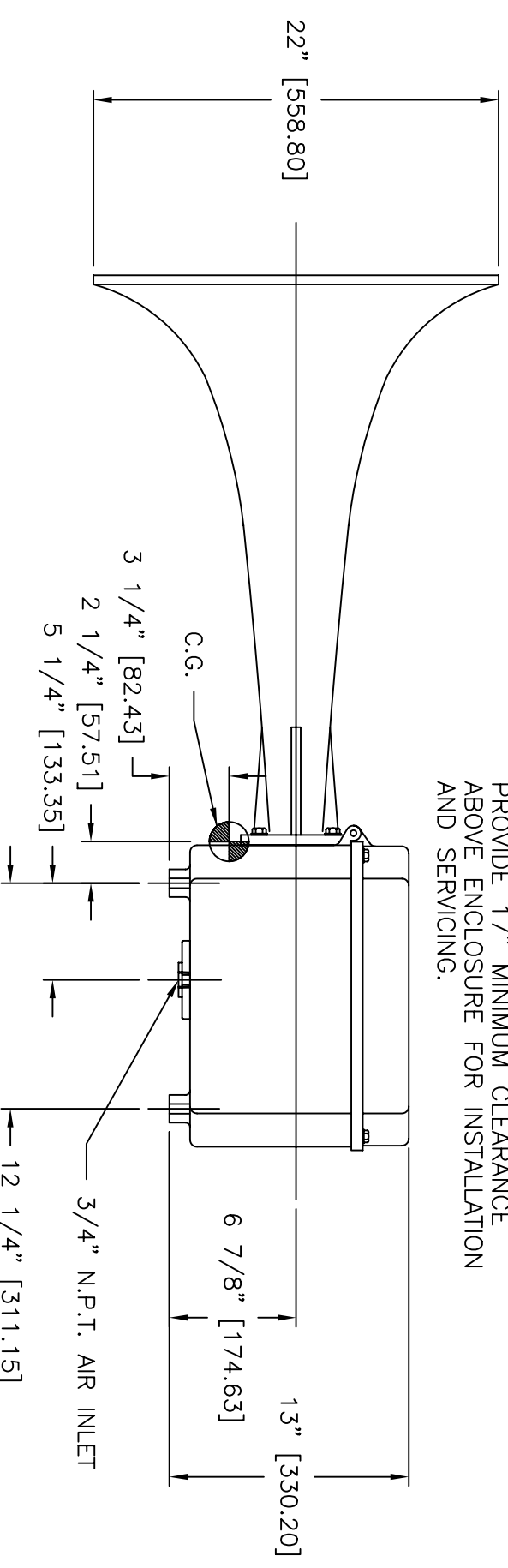


*Conforming to International Maritime Regulations
For Vessels 75 to 200 Meters in Length,
and Vessels Over 200 Meters in Length.*



PROVIDE 17" MINIMUM CLEARANCE
ABOVE ENCLOSURE FOR INSTALLATION
AND SERVICING.



CURRENT REQUIREMENTS
FOR SOLENOID VALVE

VOLTAGE	AMPS
220 V.A.C.	0.05
24 V.D.C.	0.50

CURRENT REQUIREMENTS
FOR HEATING ELEMENT

VOLTAGE	AMPS
120 V.A.C.	3.02

TECHNICAL DATA

Frequency: 144 Hz
 Sound Pressure Level (dB(A) at 1 meter): 148dB
 Sound Pressure Level (1/3 octave at 1 meter): 144dB
 Air Consumption: 65 CFM @ 100 p.s.i.
 Air Pressure Req: 100 to 250 p.s.i.
 Electric Power: Any Standard A.C. or D.C. voltage
 Material: Type 356 anodized cast aluminum, & cast bronze
 Finish: Grey or white enamel
 Net Weight: 110 Lbs.
 Shipping Weight: 225.00 Lbs.



KAHLENBERG BROS. CO. TWO RIVERS, WI. U.S.A.

OUTLINE DIMENSIONS
MODEL S-203CHT
ARCTIC AIRHORN

Price: \$ _____ U.S.D. Net. Ea.
 (Valid for 60 days, F.O.B. Two Rivers, WI. U.S.A.)

DATE	DRWG. NO.	REV.
11/26/01	3-5035	F EMK