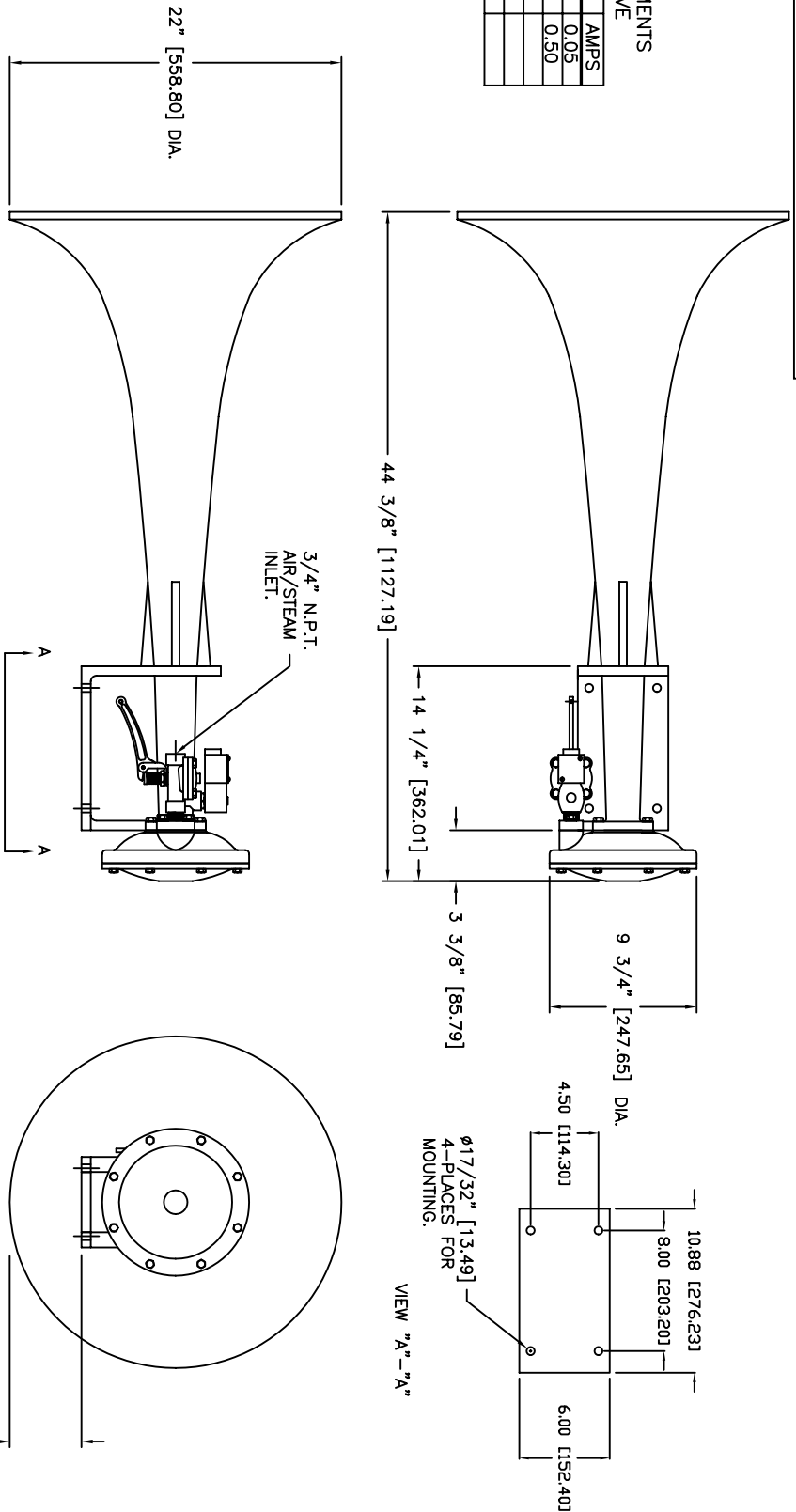


Conforming to International Maritime Regulations  
 For Vessels 75 to 200 Meters in Length,  
 and Vessels Over 200 Meters in Length.

REV.	BY	DATE	DESCRIPTION	APP'D.
A	ZJN	03/15/02	VALVE WAS V-152	EMK

CURRENT REQUIREMENTS  
 FOR SOLENOID VALVE

VOLTAGE	AMPS
220 V.A.C.	0.05
24 V.D.C.	0.50



**TECHNICAL DATA**  
 Frequency: 140 Hz  
 Sound Pressure Level (dB(A) at 1 meter): 144dB  
 Sound Pressure Level (1/3 octave at 1 meter): 148dB  
 Air Consumption: appx. 97.8 C.F.M. @ 150 P.S.I.  
 Air Pressure Req: 100 To 250 P.S.I.  
 Electric Power: Any Standard A.C. or D.C. voltage  
 Material: Type 356 anodized cast aluminum, & cast bronze  
 Finish: Grey or white enamel  
 Net Weight: 70 Lbs.  
 Shipping Weight: 180 Lbs.

Price: \$ \_\_\_\_\_ U.S.D. Net. Ea.  
 (Valid for 60 days, F.O.B. Two Rivers, WI, U.S.A.)



KAHLENBERG BROS. CO. TWO RIVERS, WI. U.S.A.  
**OUTLINE DIMENSIONS**  
**MODEL S203-CV AIRHORN**  
**WITH V-152AL SOLENOID VALVE**

DATE	DRWG. NO.	REV.
03/15/02	2-5238	A