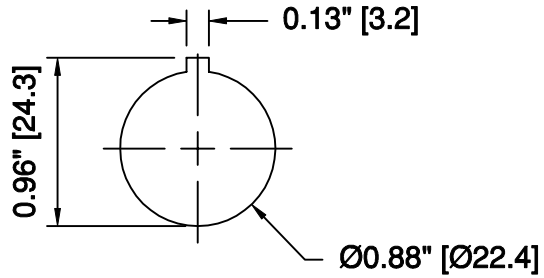
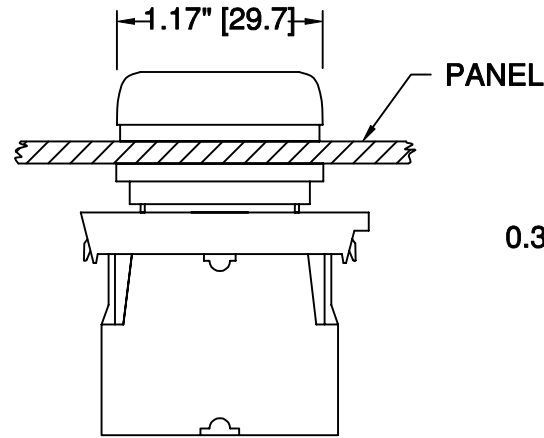


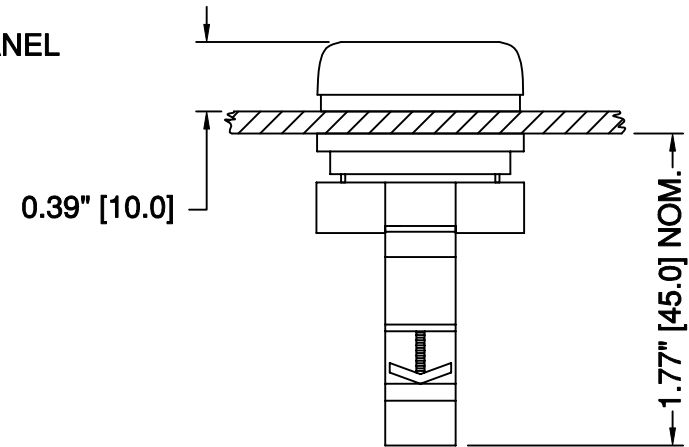
REVISIONS			
REV	DESCRIPTION	DATE (YR-MO-DA)	APPROVED



CUT OUT
MOUNTING HOLE



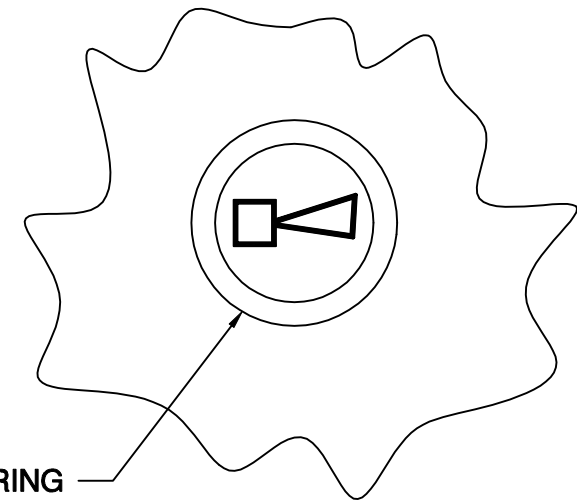
FRONT VIEW



SIDE VIEW


TYPICAL PANEL MOUNTING

TOP VIEW



TITANIUM RING

Type: momentary N.O. poles circuit: SPST,
10 A rated contacts. Maximum: 500 Volts @
2 Amps. Material: plastic body, Titanium ring,
plated copper contacts. CSA certified, UL listed.
IEC/EN 60947 conformed, VDE 0660 conformed.
Ingress of Protection: IP 67 and 69K (IEC 60 529)
NEMA / UL / CSA: 12, 13, 3 R, 4X.

CONFIDENTIAL INFORMATION CONTAINED HEREIN IS CONFIDENTIAL, IT IS THE PROPERTY OF AIRCHIME MFG. CO. LTD., IT IS TO BE USED SOLELY FOR THE PURPOSE PROVIDED, AND IT IS NOT TO BE DISCLOSED TO OTHERS WITHOUT THE PRIOR WRITTEN CONSENT OF AIRCHIME MANUFACTURING COMPANY LIMITED. © Copyright Airchime Mfg. Co. Ltd.	CONTRACT NUMBER		 AIRCHIME MANUFACTURING CO. LTD. LANGLEY, B.C. CANADA V4W 3S8	
	CUSTOMER:			
	DRAWN BY: L.H.F.	DATE (YR-MO-DA) 02-03-18	MODEL WPB-19220 WHISTLE AT WILL PUSH BUTTON	
	CHECKER: D.F.	APPROVED: L.H.F.		
	DRAWING APPROVAL		SIZE A	NSCM 36575
TYPE OF DRAWING: ASSEMBLY		SCALE: NONE	UNIT WT:	SHEET: 1 OF 1