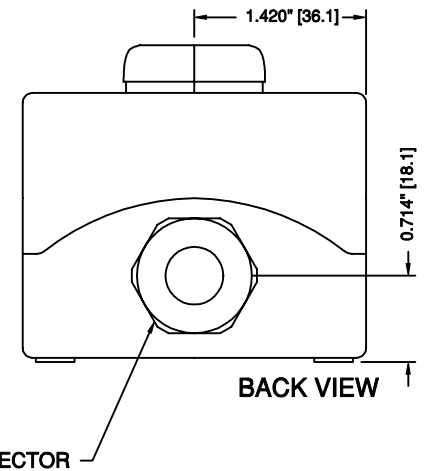
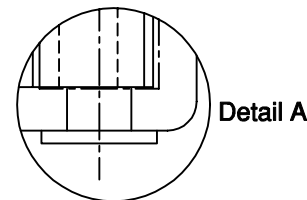
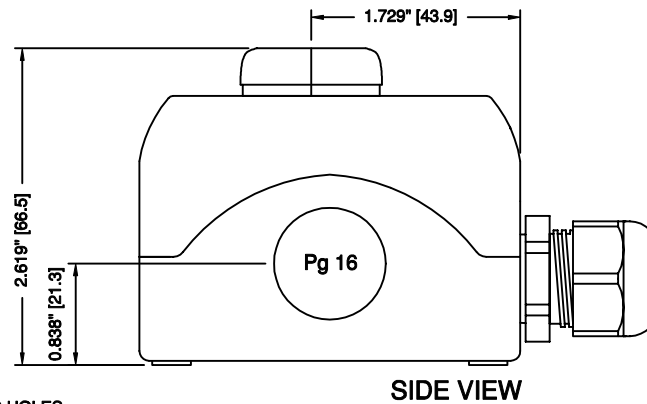
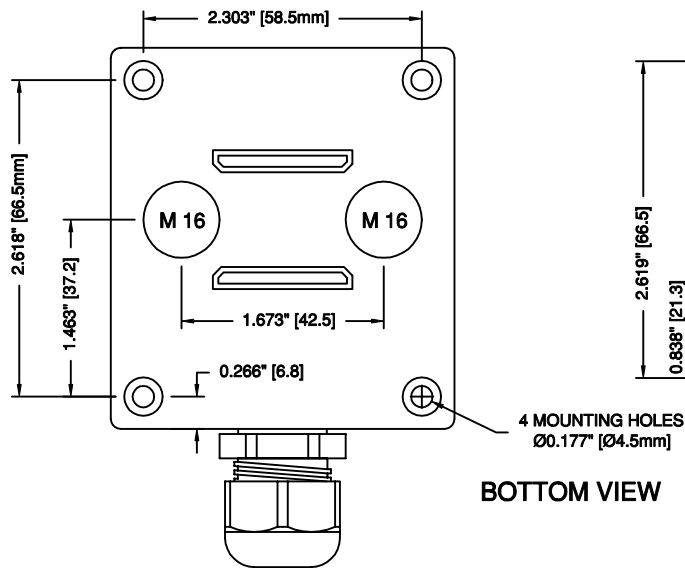
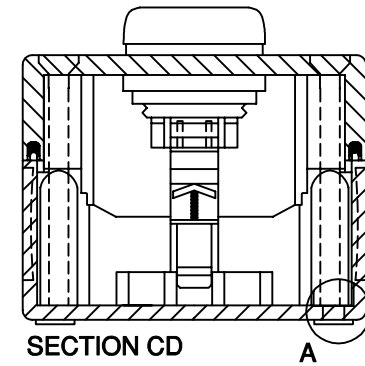
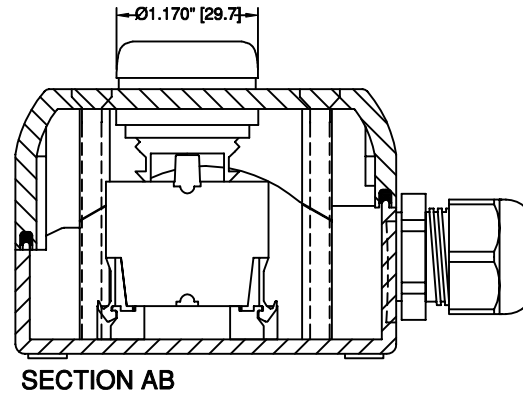
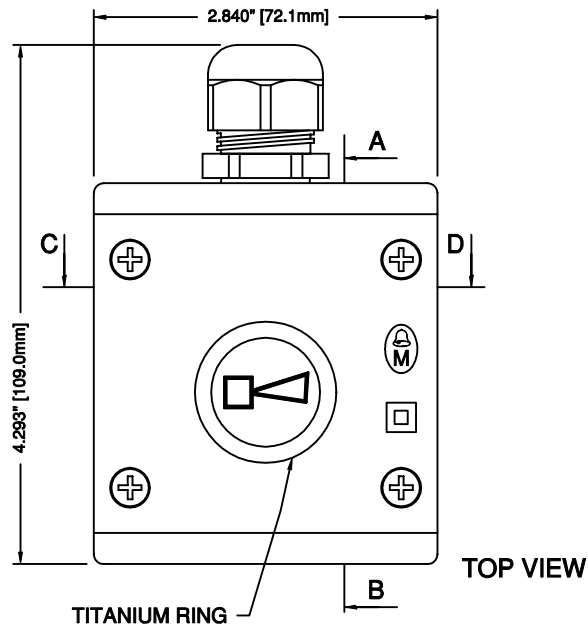



REVISIONS			
REV	DESCRIPTION	DATE (YR-MO-DA)	APPROVED



**SPECIFICATIONS:**

Weather proof, push button switch with surface mount enclosure.  
 TYPE: Momentary N.O., poles circuit: SPST, 10A max. rated contacts.  
 Maximum 500 Volts @ 2 Amps. Ambient Temperature -25° to 70°C.  
 Material: plastic body, titanium ring, plated copper contacts.  
 IEC/EN 60947 conformed, VDE 0660 conformed, CSA certified, UL listed  
 Ingress of protection: IP 67, 69K (IEC 60 529). NEMA/UL/CSA: 12,13, 3R, 4X

<p><b>CONFIDENTIAL</b></p> <p>INFORMATION CONTAINED HEREIN IS CONFIDENTIAL, IT IS THE PROPERTY OF AIRCHIME MFG. CO. LTD.. IT IS TO BE USED SOLELY FOR THE PURPOSE PROVIDED, AND IT IS NOT TO BE DISCLOSED TO OTHERS WITHOUT THE PRIOR WRITTEN CONSENT OF AIRCHIME MANUFACTURING COMPANY LIMITED.</p> <p>© Copyright Airchime Mfg. Co. Ltd.</p>	CONTRACT NUMBER		 <p><b>AIRCHIME MANUFACTURING CO. LTD.</b>          LANGLEY, B.C. CANADA          V4W 3S8</p>	
	CUSTOMER:			
	DRAWN BY: R. R. B.	DATE (YR-MO-DA) 2002-04-08		
	CHECKER: B. S.	APPROVED:		
DRAWING APPROVAL	TYPE OF DRAWING: <b>ASSEMBLY</b>	SIZE A	NSCM 36575	<b>19215-LC</b>
		SCALE: NONE	UNIT WT: 5.6 oz (160 g)	SHEET: 1 OF 1