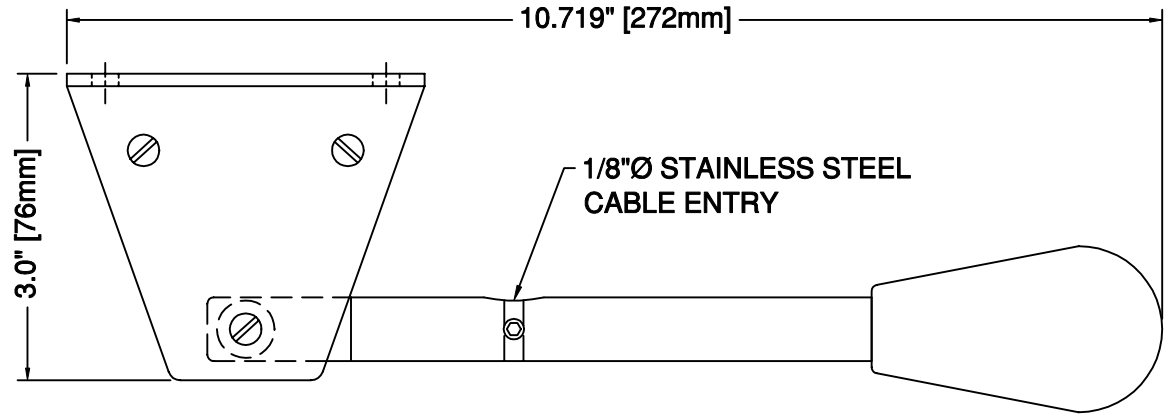
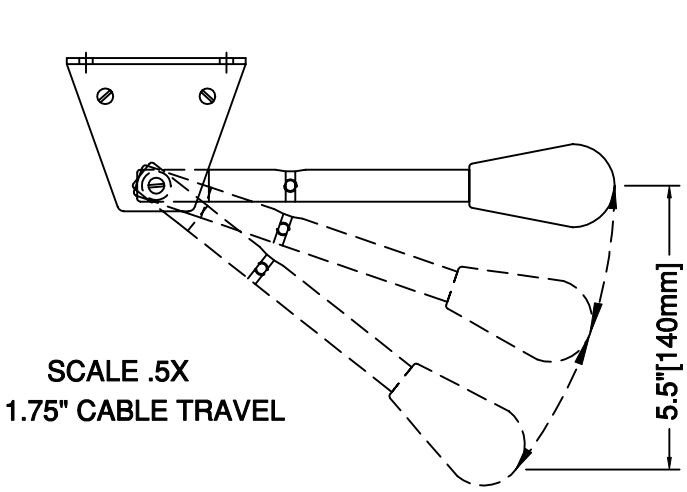
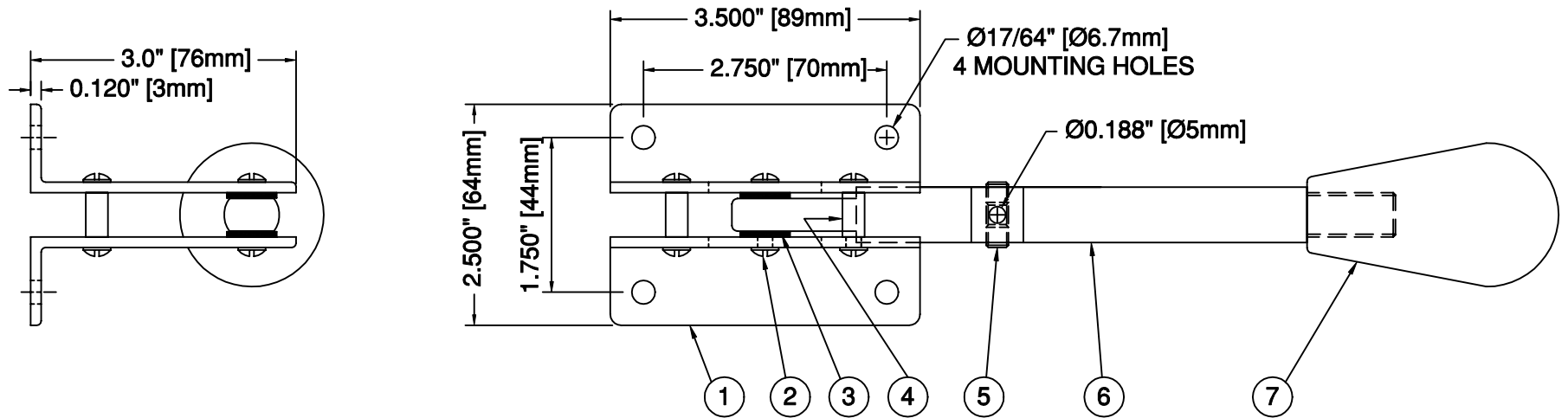



REVISIONS			
REV	DESCRIPTION	DATE (YR-MO-DA)	APPROVED



ALL DIMENSIONS ARE FOR REFERENCE PURPOSE, UNLESS OTHERWISE SPECIFIED

REF	PART	DESCRIPTION	MATERIAL	SPECIFICATION	QTY
1	14752	SUPPORTING FLANGE	STAINLESS STEEL	UNS S30400	2
2	31049	PAN HD MACH SCREW	STAINLESS STEEL	ASA B18.6	6
3	14758	FLAT WASHER	TEFLON	COMMERCIAL	2
4	14756	SPACER, THREADED 8-32	BRASS NICKEL PLATED	COMMERCIAL	3
5	10643	HEX SOCKET SET SCREW	STAINLESS STEEL	ASA B18.6	2
6	14750	HANDLE	STAINLESS STEEL	UNS S30400	1
7	14754	HAND KNOB	PHENOLIC	COMMERCIAL	1

<p>CONFIDENTIAL</p> <p>INFORMATION CONTAINED HEREIN IS CONFIDENTIAL, IT IS THE PROPERTY OF AIRCHIME MFG. CO. LTD., IT IS TO BE USED SOLELY FOR THE PURPOSE PROVIDED, AND IT IS NOT TO BE DISCLOSED TO OTHERS WITHOUT THE PRIOR WRITTEN CONSENT OF AIRCHIME MANUFACTURING COMPANY LIMITED.</p> <p>© CopyRight Airchime Mfg. Co. Ltd.</p>	CONTRACT NUMBER		 <p>AIRCHIME MANUFACTURING CO. LTD. LANGLEY, B.C. CANADA V4W 3S8</p>	
	CUSTOMER:			
	DRAWN BY: <i>L. H. F.</i>	DATE (YR-MO-DA) 2001-05-02	<p>MODEL WP-14850</p> <p>WHISTLE PULL ASSEMBLY</p>	
	CHECKER: <i>D. F.</i>	DESIGNED: <i>L. H. F.</i>	<p>SIZE: NSCM A 36575</p> <p>14850</p>	<p>SCALE: NONE</p> <p>UNIT WT: 2.0 Kg</p> <p>SHEET: 1 OF 1</p>
DRAWING APPROVAL: <i>D. W. C.</i>		TYPE OF DRAWING: ASSEMBLY		